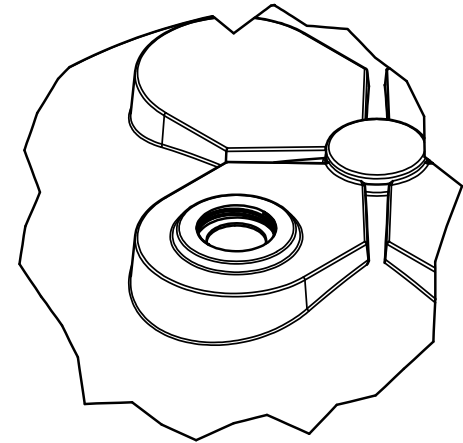
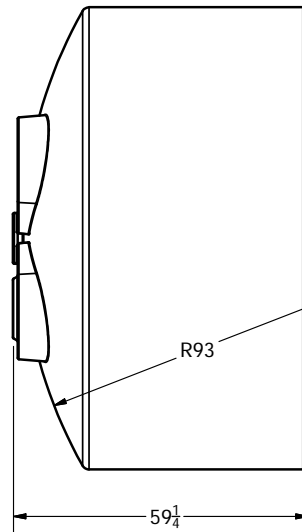
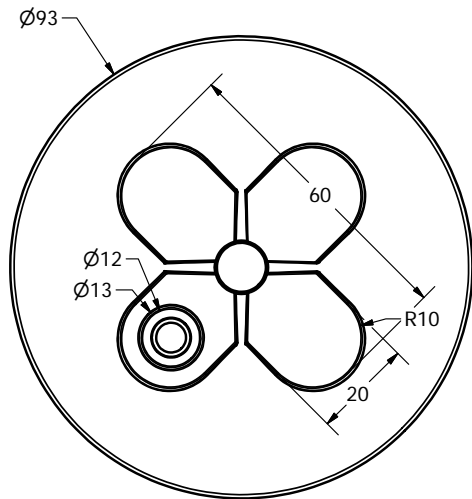
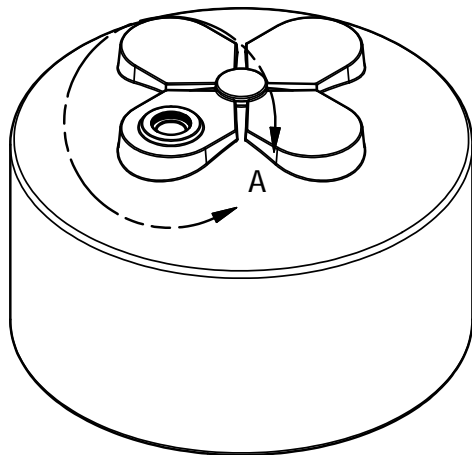



58 $\frac{3}{4}$



DETAIL A
SCALE 0.08 : 1



DRAWN Todd Bolzer	11/22/2011		
CHECKED		NORWESCO, INC., ST. BONIFACIUS, MN	
QA		TITLE	
MFG		1525 GALLON VERTICAL TANK X 93 DIAMETER	
APPROVED		SIZE	DWG NO
		B	43808 Black
		SCALE: 1/16	REV A
		SHEET 1 OF 1	