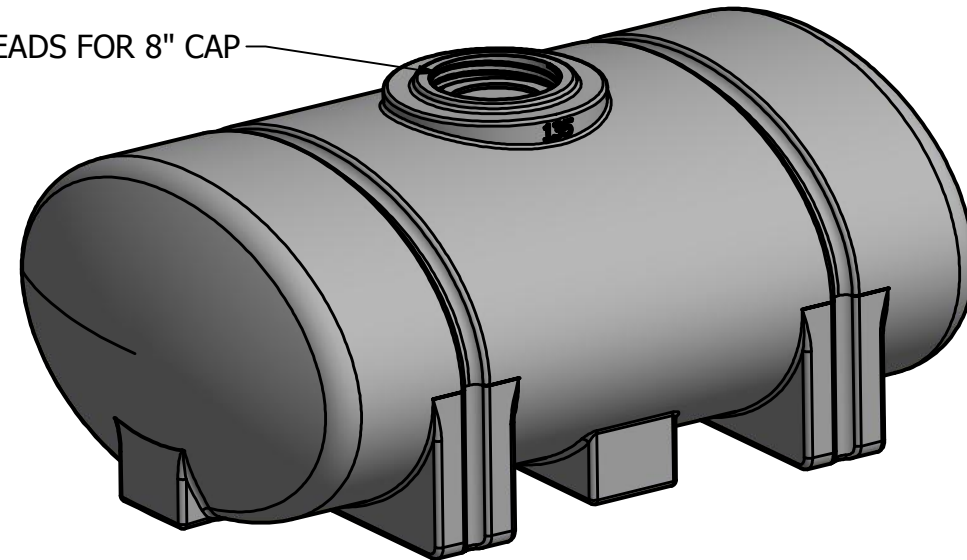
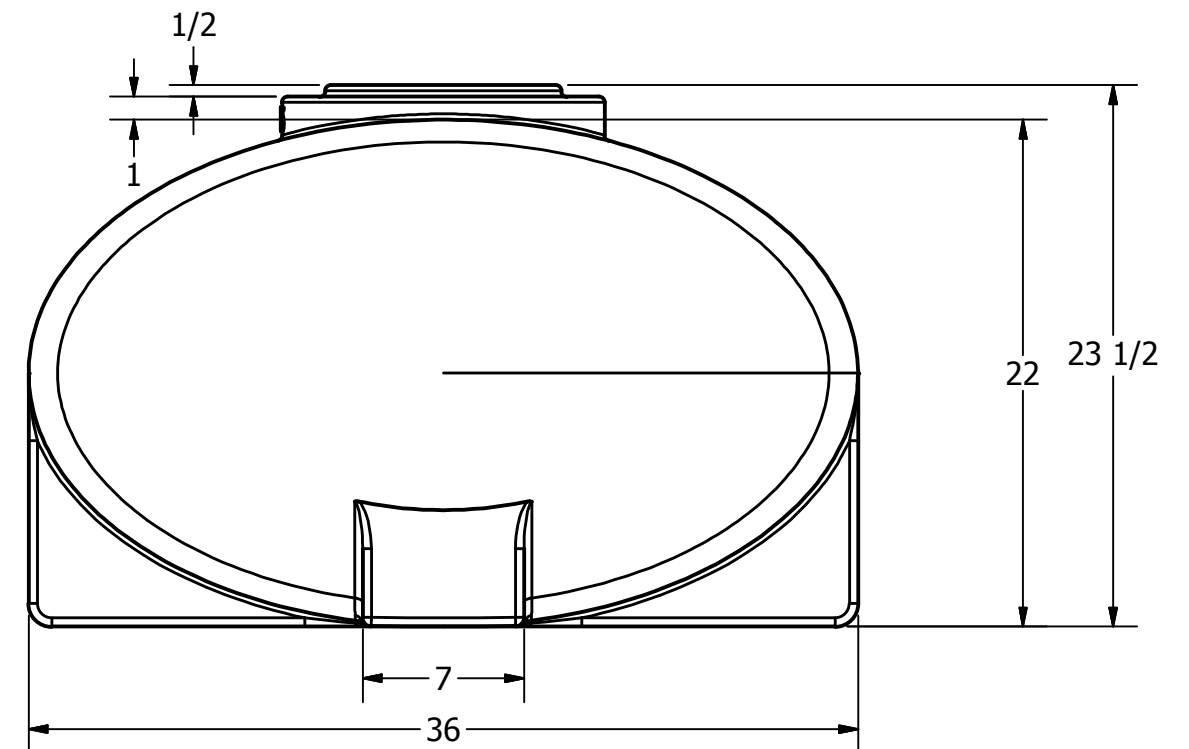
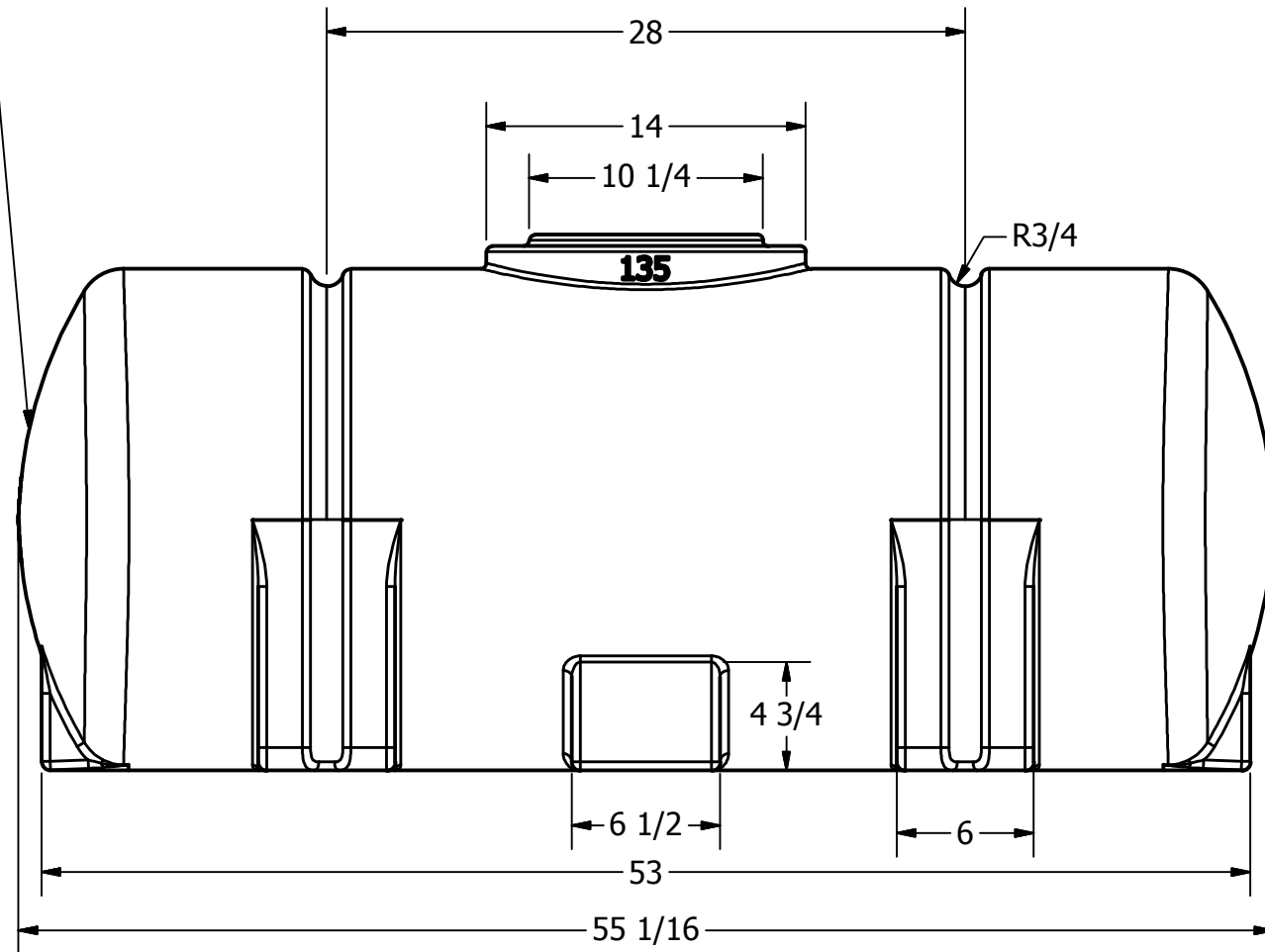



THREADS FOR 8" CAP



GALLON MARKERS ON THIS END



DRAWN Liv Oltean	7-15-2016	 NORWESCO NORWESCO, INC. SAINT BONIFACIUS, MN TITLE 135 GALLON ELLIPTICAL LEG TANK	
CHECKED			
QA			
MFG			
APPROVED			
	SIZE B	DWG NO	REV A
	SCALE: 1/16	SHEET 1 OF 1	