

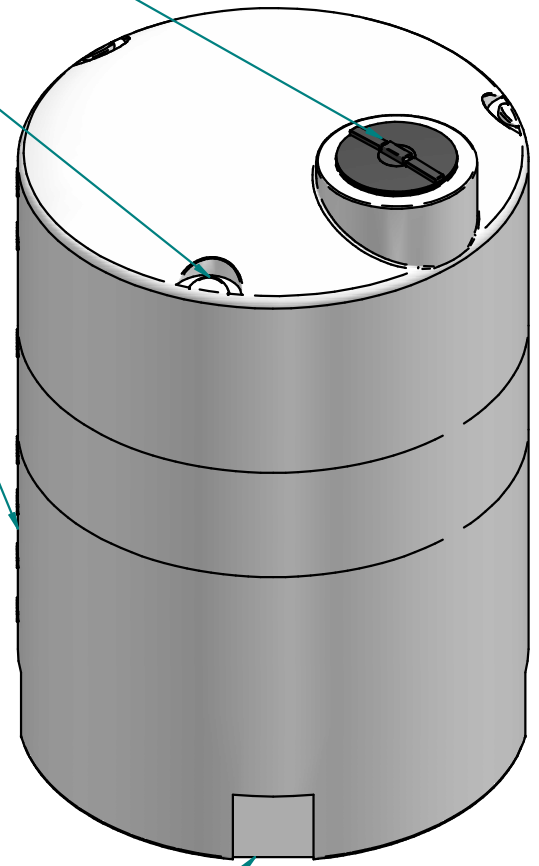
Top View

REVISION HISTORY			
REV	DESCRIPTION	DATE	APPROVED
10	UPDATED DRAWING ACCORDING TO CURRENT TANK	03/30/11	

16" MANWAY

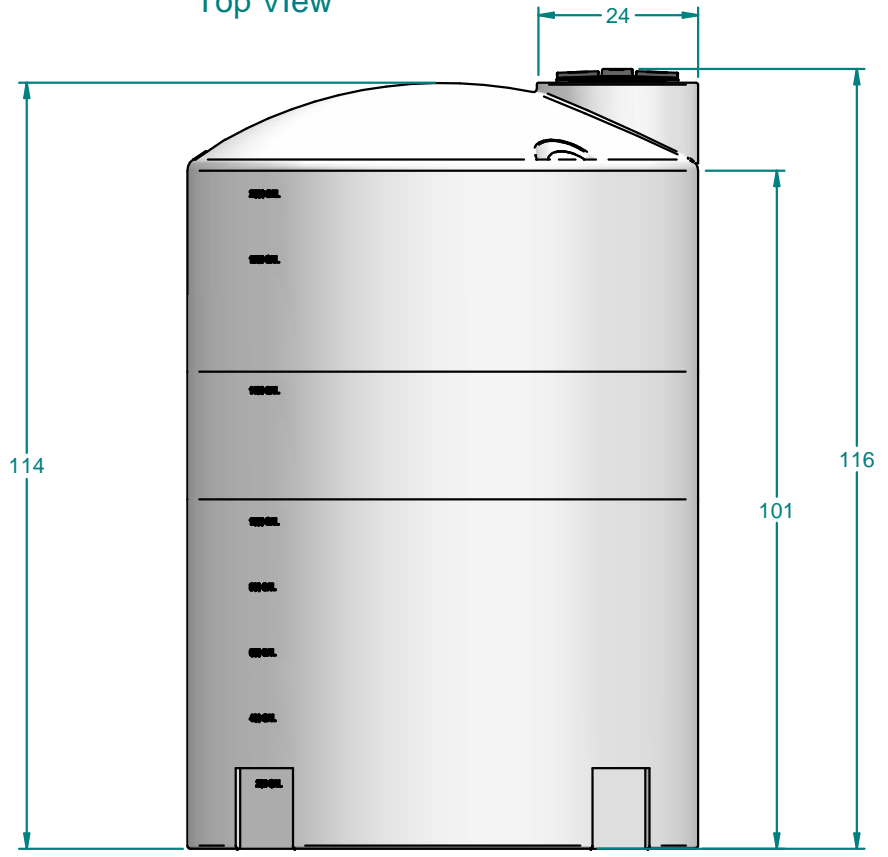
TANK TIE DOWN AREAS
120° APART
60° FROM MANWAY

TANK IS CALIBRATED
IN 200 GAL INCREMENTS
UP TO 1000 GALLONS THEN
1400 GAL, 1800 GAL, 2000 GAL
ALIGNED WITH FLAT SPOT




ISO View

FLAT SPOT
90° APART
45° FROM MANWAY



Side View

wall thickness: 0.320"

 16160 Hwy 27 Lake Wales, FL 33859		
DRAWN	NAME: mnegron	DATE: 5/8/2006
CHECKED		
ENG APPR		
MGR APPR		
TITLE: V-2200 Gallon Tank		REV: 10
SIZE: A	MATERIAL: hdpe natural (200)	
FILE NAME: 902200.dft		
PART#: 902200	WEIGHT: 373.337 lbm	SHEET 1 OF 1

UNLESS OTHERWISE SPECIFIED
DIMENSIONS ARE IN INCHES
ANGLES ±0.5°
2 PL ±0.125" 3 PL ±0.060"