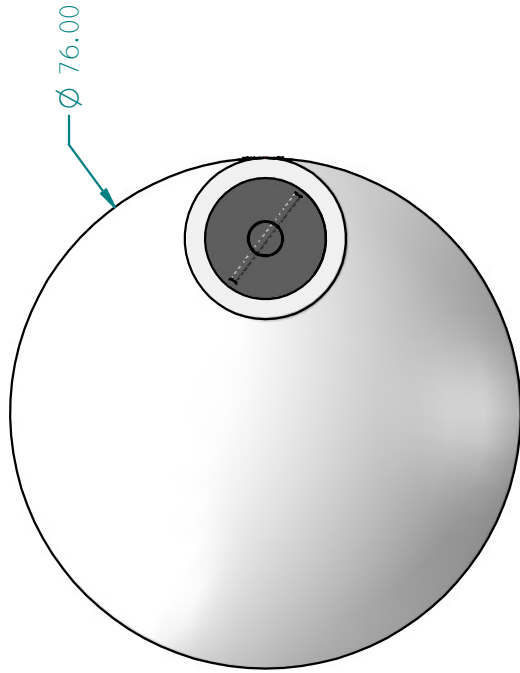
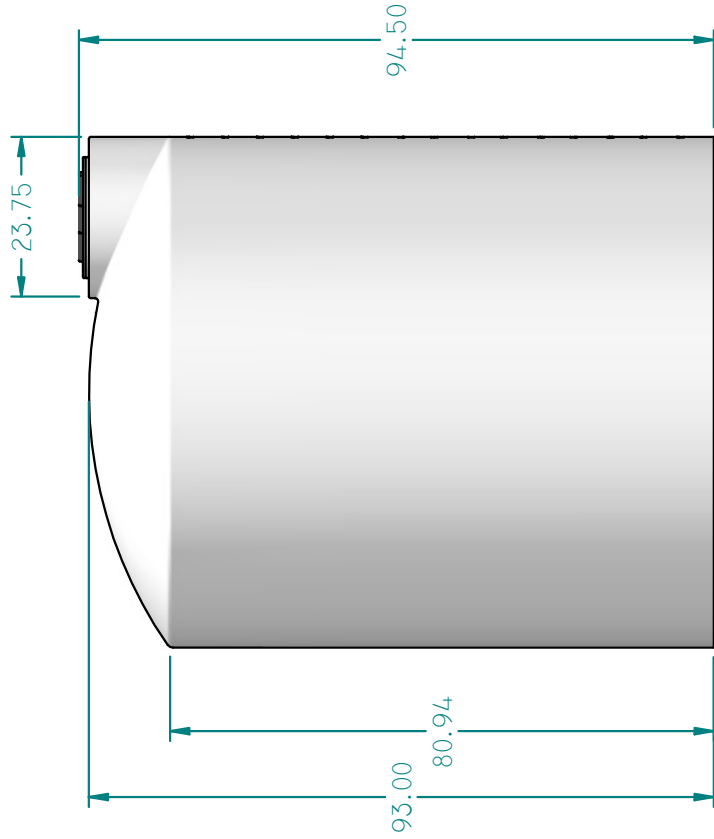


REVISION HISTORY

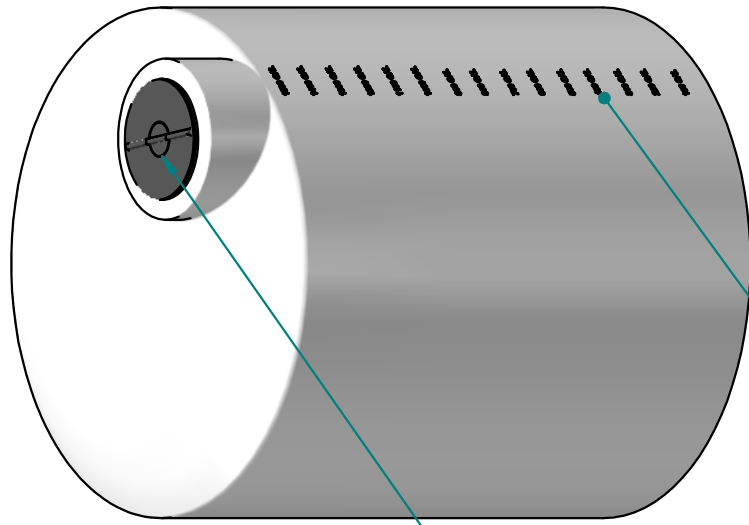
REV	DESCRIPTION	DATE	APPROVED



TOP VIEW



SIDE VIEW



16" MANWAY

TANK IS CALIBRATED
IN 100 GAL INCREMENTS

ISO VIEW



16160 Hwy 27 Lake Wales, FL 33859

TITLE V-1700 GALLON TANK

SIZE	MATERIAL	REV
A	LMDPE NATURAL (100)	

FILE NAME: 901750.DFT

PART #	WEIGHT	SHEET OF
901750	224.994 LBM	1 OF 1

NAME	DATE
DRAWN MNEGRON	12/13/2008
CHECKED	
ENG APPR	
MGR APPR	

UNLESS OTHERWISE SPECIFIED
DIMENSIONS ARE IN INCHES
ANGLES ±0.5°
2 PL ±0.125" 3 PL ±0.060"

WALL THICKNESS: 0.280"