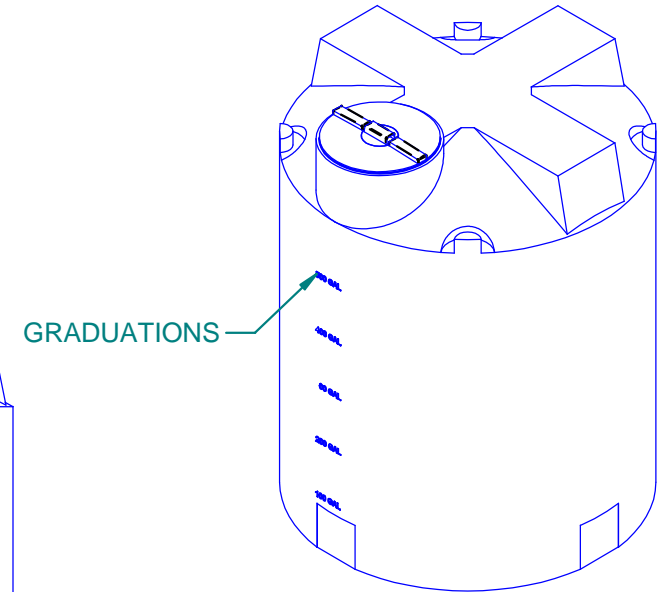
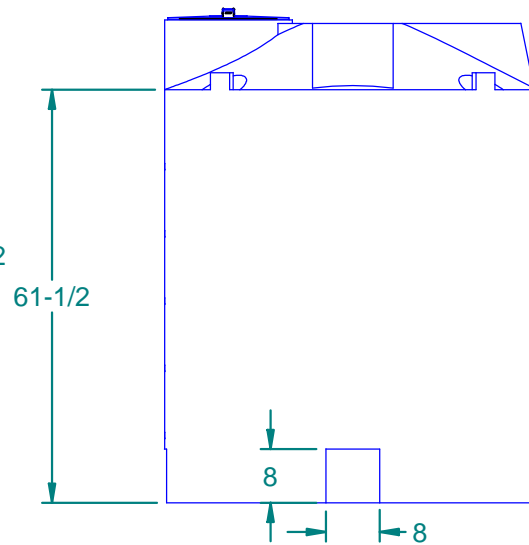
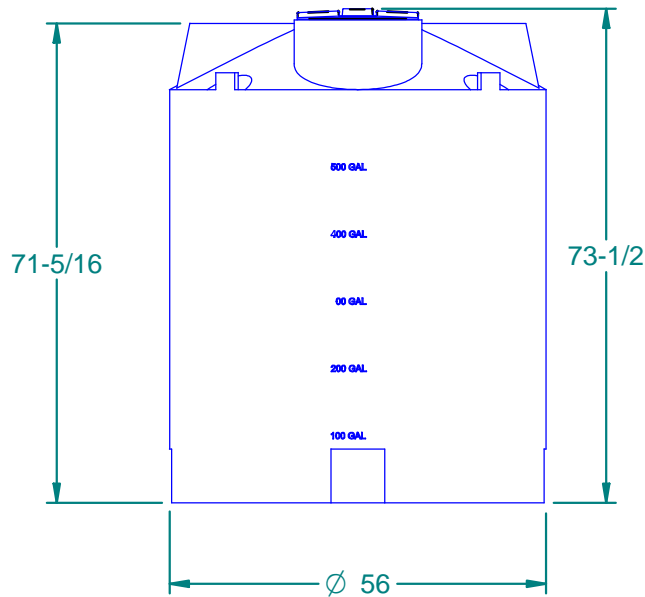
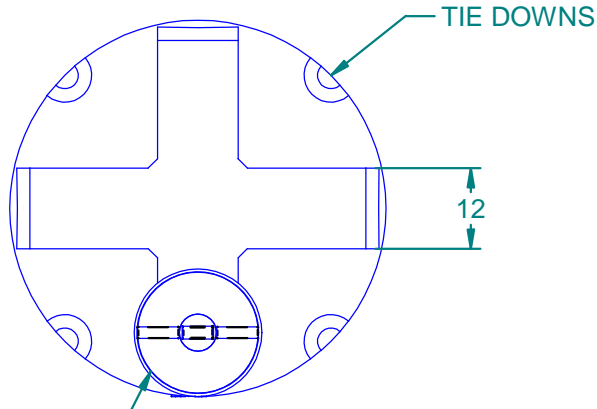



MAIN PRODUCT INFORMATION

REVISION HISTORY

REV	DESCRIPTION	DATE	APPROVED	Revised By
B	Redesigned Top and B/H Fitting Areas	05/28/09		



Weight: 154.690 lbm	NAME	DATE	 16160 Hwy 27 Lake Wales, FL. 33859		
Wall Thickness: 0.250 in	Drawn By: mnegron	5/27/2009			
Customer Part No: n/a	Customer APPR		Customer:	Dura-Cast Products, Inc.	
Print Date: 5/28/2009	Copyright © 2007 Dura-Cast Products, Inc.		Part Title:	V-650 Gallon Tank	
Comments: - UNLESS OTHERWISE SPECIFIED DIMENSIONS ARE IN INCHES - Std Radii 3/16"	Tolerance:		File Name:	V-650 Vertical (Flat Top).dft	
	UNLESS OTHERWISE SPECIFIED TOLERANCES ARE ±1%		Size: A	Material: LLDPE Resin NATURAL	Rev: B
			Part No: 900650	Do Not Scale	Sheet: 1 OF 1