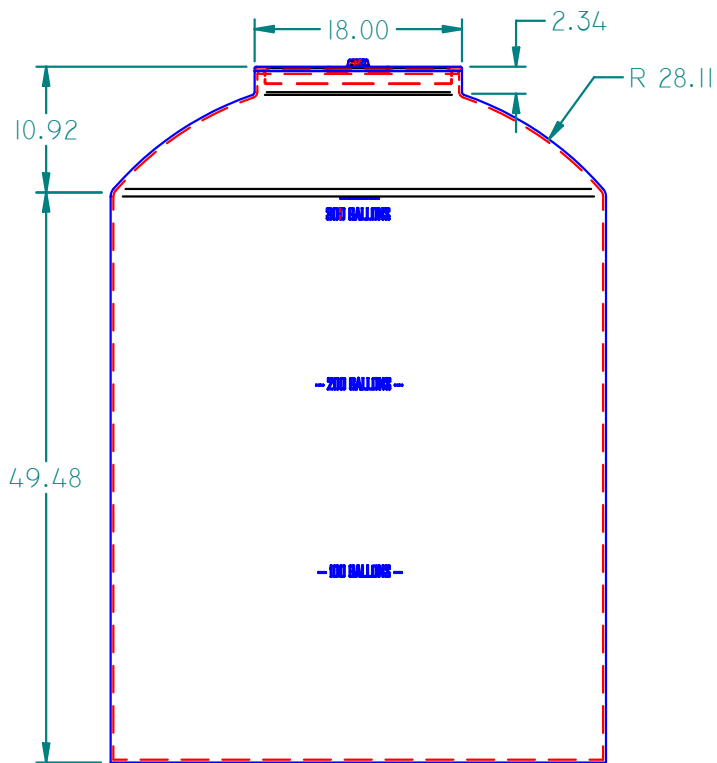
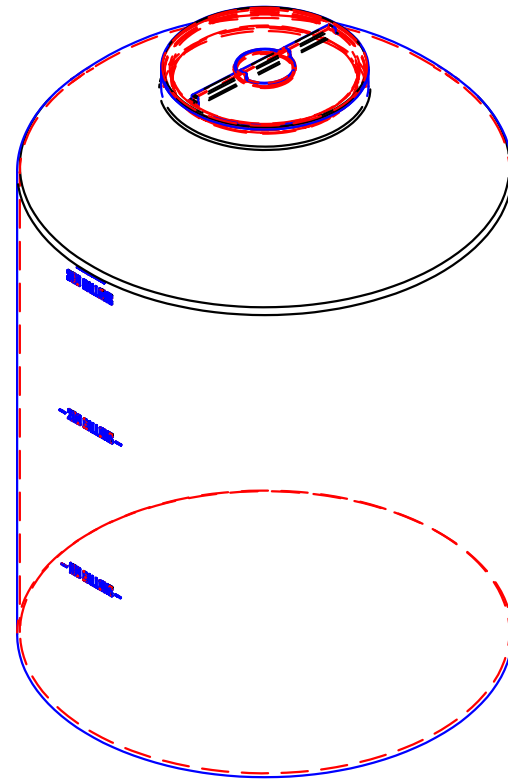


TOP VIEW



SIDE VIEW

TANK IS CALIBRATED
IN 100 GALLON
INCREMENTS



ISO VIEW

REVISION HISTORY

REV	DESCRIPTION	DATE	APPROVED

WALL THICKNESS: 1.5 SPG

325 GALLON CAPACITY

	NAME	DATE
DRAWN	MPUTT	3/2/2004
CHECKED		
ENG APPR		
MGR APPR		



16160 Hwy 27 Lake Wales, FL 33859

TITLE		V-325 GALLON TANK	
SIZE A	MATERIAL: LMDPE RESIN (100)	REV	
FILE NAME: V325 ASSY.DFT			
PART#: 900325HD	WEIGHT: 81.745 LBM	SHEET 1 OF 1	

UNLESS OTHERWISE SPECIFIED
DIMENSIONS ARE IN INCHES
ANGLES ±0.5°
2 PL ±0.125" 3 PL ±0.060"