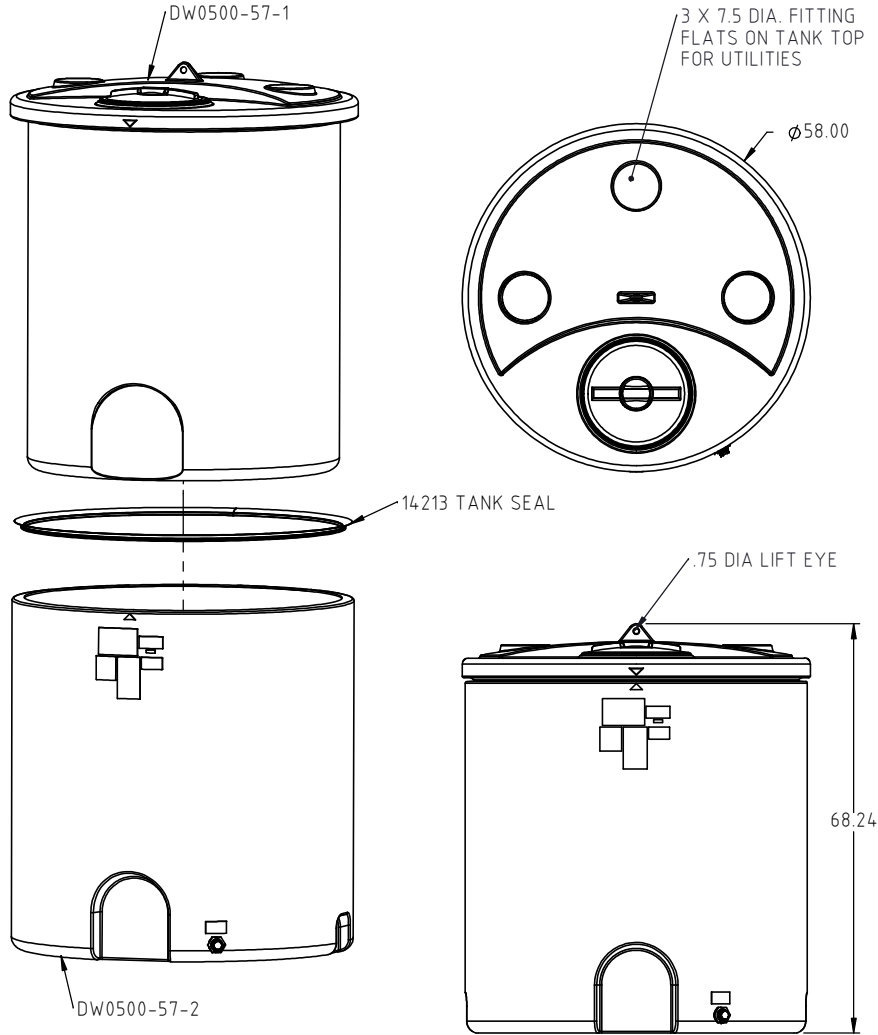


© DEN HARTOG INDUSTRIES, INC.

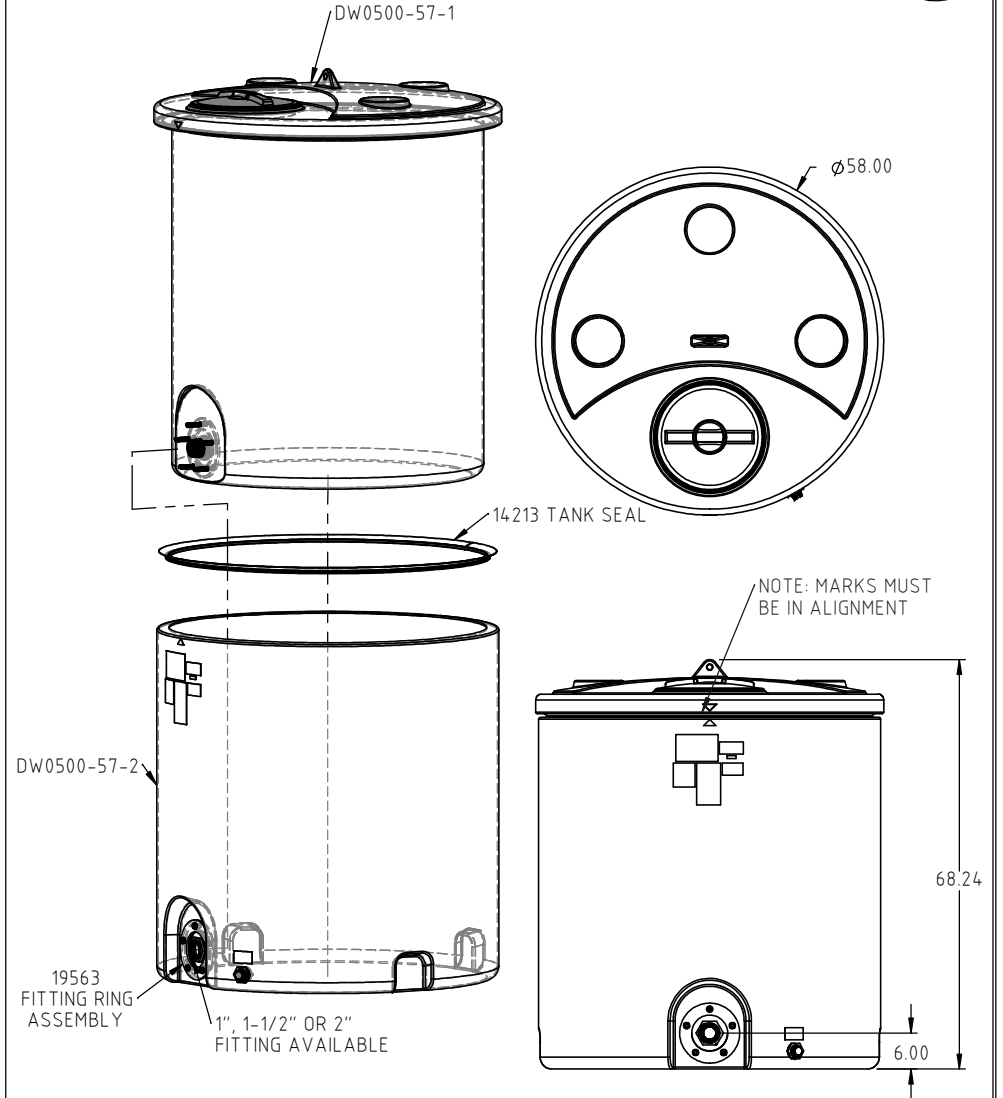
Copyright. All information furnished within this document, electronic file or design correspondence is the property of Den Hartog Industries, Inc. and shall not be used, disclosed to others or copied without the expressed written consent of Den Hartog Industries, Inc.

STANDARD TANK ASSEMBLY




TANK ASSEMBLY WITH OPTIONAL 2" FITTING

DW0500-57



				DRAWN / DATE ADH 7/14/14	MATERIAL SEE NOTE 1
				APPROD. / DATE REH 10/16/14	
REV	DESCRIPTION	BY / DATE	CCN		
ALL DIMENSIONS ARE IN DECIMAL INCHES TOLERANCES UNLESS OTHERWISE SPECIFIED		THIRD ANGLE PROJECTION ANSI 14.5M		SHOT WEIGHT:	NOTES: 1.) REFERENCE COMPONENT PRINTS FOR DETAILS 2.) PATENT PENDING
POLYETHYLENE ±1% @ 68°F		METAL DECIMAL ± .125" FRACTION ± 1/4" ANGLE ± 1°		SHIPPING WEIGHT: STANDARD =264 LBS. FINISH:	



Den Hartog

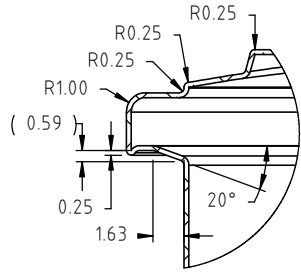
INDUSTRIES, INC.

Ace Roto-Mold Injection Molding Blow Molding Sowjoy

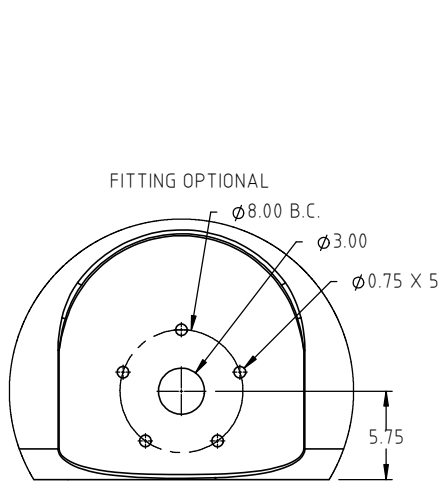
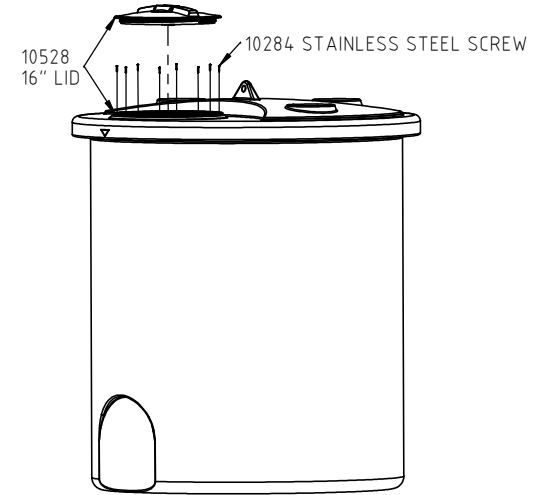
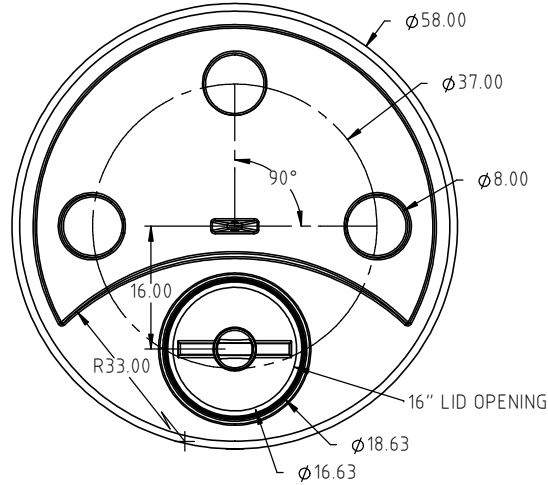
4010 HOSPERS DRIVE S. BOX 425, HOSPERS, IOWA 51238-0425

DESCRIPTION 500 GALLON DUAL LINE™ TANK ASSEMBLY	
SCALE N.S.	PART NO. DW0500-57

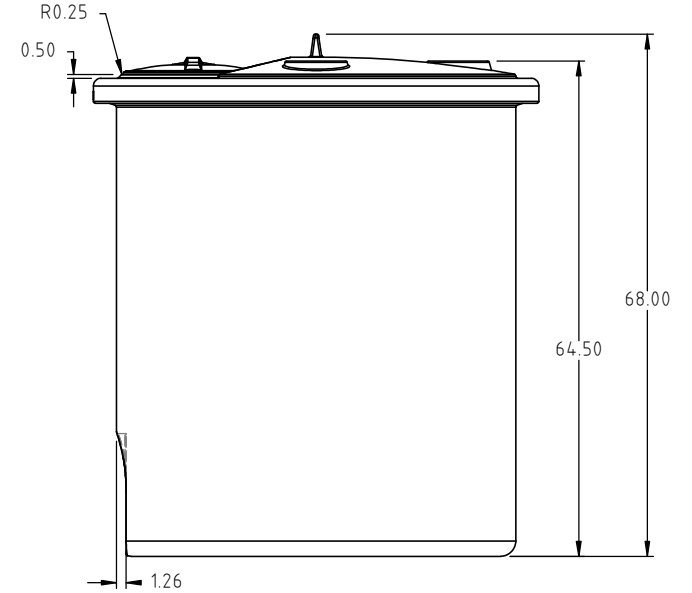
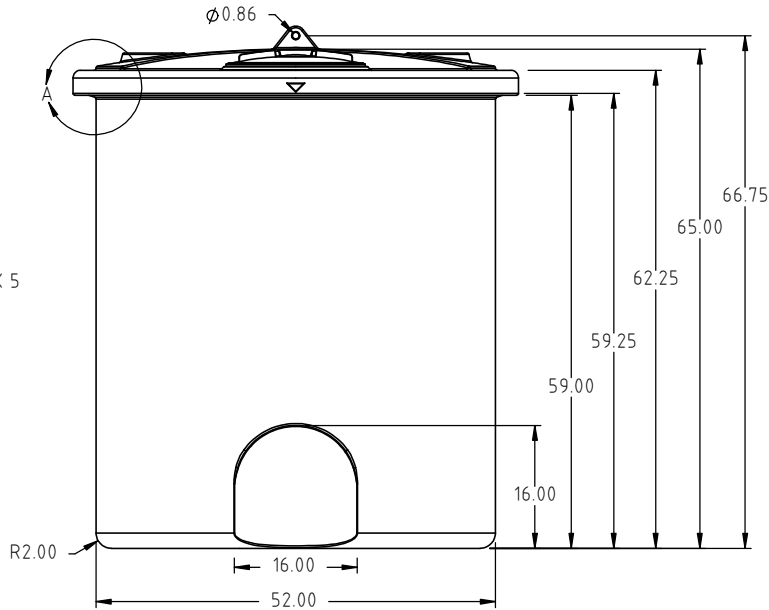
Copyright. All information furnished within this document, electronic file or design correspondence is the property of Den Hartog Industries, Inc. and shall not be used, disclosed to others or copied without the expressed written consent of Den Hartog Industries, Inc.



DETAIL A
SCALE 1:10



DETAIL B
SCALE 2:25



REV	DESCRIPTION	BY / DATE	CCN	DRAWN / DATE ADH 2/19/14	MATERIAL 10420
				APPRO. / DATE REH 6/1/14	
	ALL DIMENSIONS ARE IN DECIMAL INCHES TOLERANCES UNLESS OTHERWISE SPECIFIED	THIRD ANGLE PROJECTION ANSI 14.5M		SHOT WEIGHT: 130 LBS.	NOTES: 1.) 0.250 NOM. WALL THICKNESS 2.) PATENT PENDING
	POLYETHYLENE ±1% @ 68°F			SHIPPING WEIGHT:	
	METAL DECIMAL ± .125" FRACTION ± 1/4" ANGLE ± 1°			FINISH:	



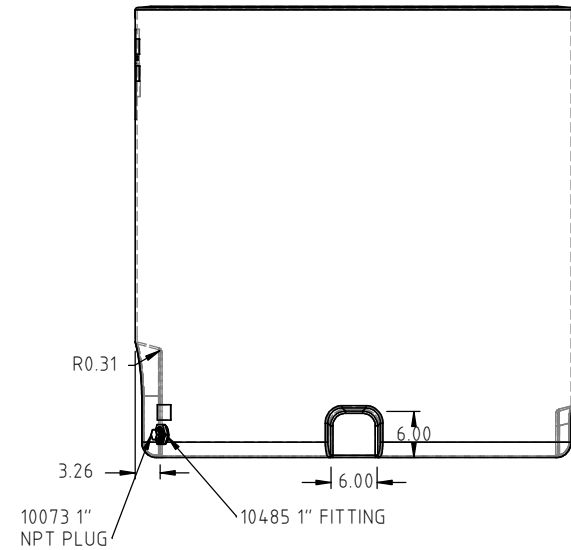
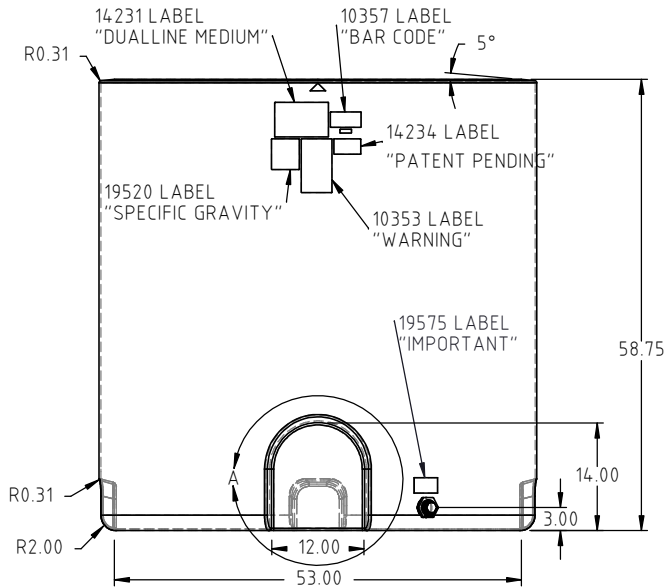
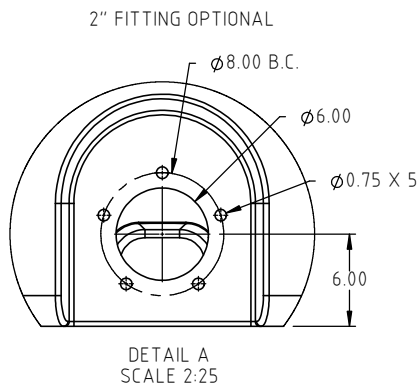
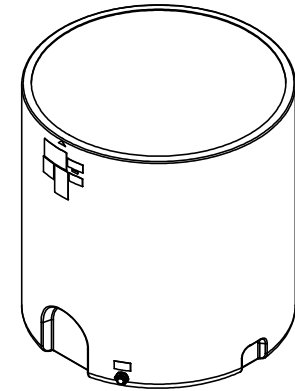
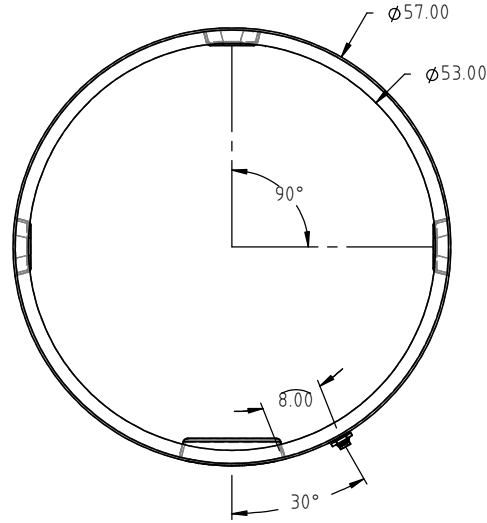
Den Hartog
INDUSTRIES, INC.

Ace Roto-Mold Injection Molding Blow Molding Sowjoy

4010 HOSPERS DRIVE S. BOX 425, HOSPERS, IOWA 51238-0425

DESCRIPTION 500 GALLON DUAL LINE™ TANK-INNER TANK	
SCALE N.S.	PART NO. DW0500-57-1

Copyright. All information furnished within this document, electronic file or design correspondence is the property of Den Hartog industries, Inc. and shall not be used, disclosed to others or copied without the expressed written consent of Den Hartog Industries, Inc.



		DRAWN / DATE ADH 10/16/12		MATERIAL 10420
		APPROD. / DATE REH 6/1/14		
REV	DESCRIPTION	BY / DATE	CCN	
ALL DIMENSIONS ARE IN DECIMAL INCHES TOLERANCES UNLESS OTHERWISE SPECIFIED		THIRD ANGLE PROJECTION ANSI 14.5M		SHOT WEIGHT: 127 LBS.
POLYETHYLENE				SHIPPING WEIGHT: 109 LBS.
METAL DECIMAL ± .125" FRACTION ± 1/4" ANGLE ± 1°				FINISH:
±1% @ 68°F				



Den Hartog
INDUSTRIES, INC.

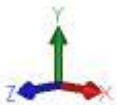
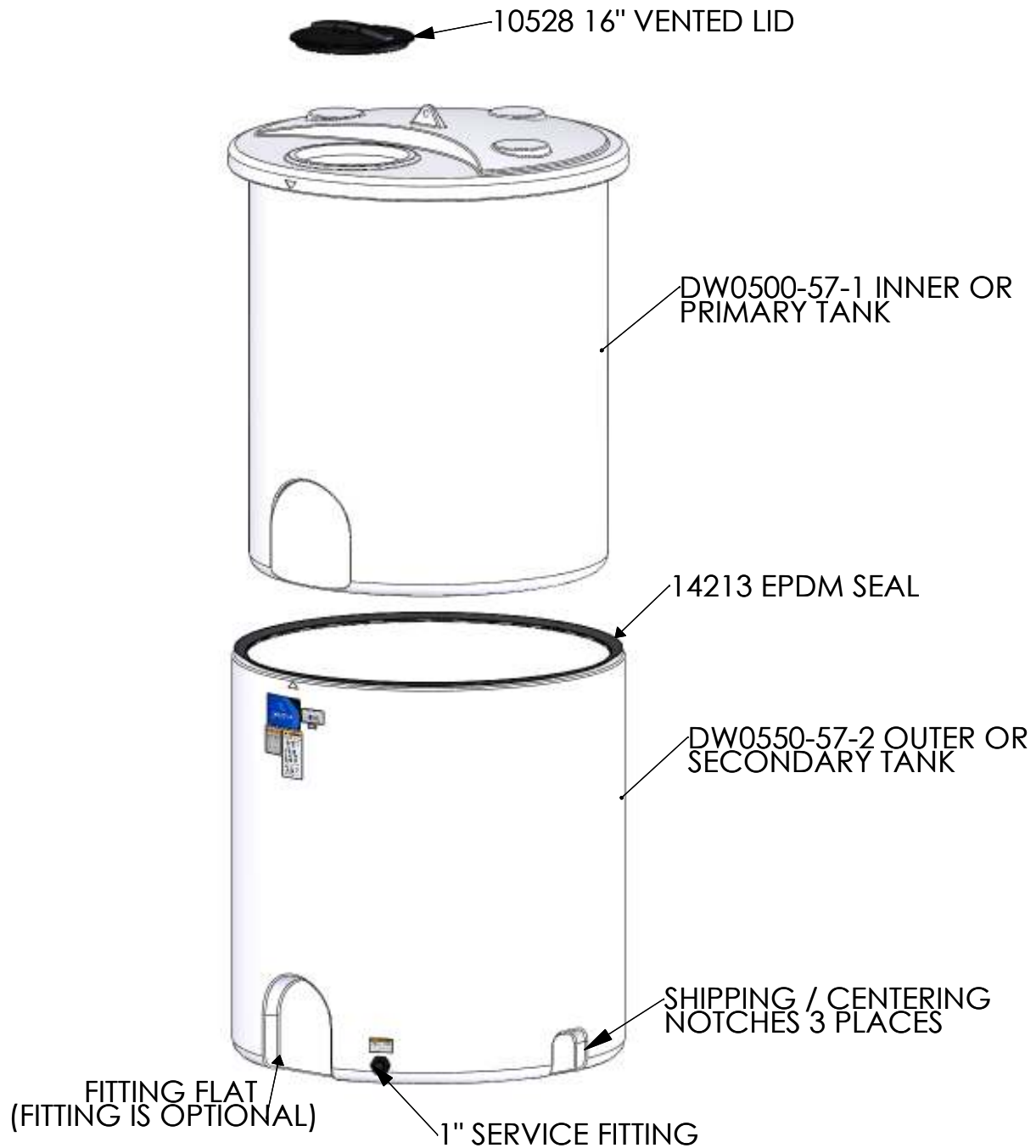
Ace Roto-Mold Injection Molding Blow Molding Sowjoy

4010 HOSPERS DRIVE S. BOX 425, HOSPERS, IOWA 51238-0425

DESCRIPTION 500 GALLON DUAL LINE™ TANK- OUTER TANK	
SCALE N.S.	PART NO. DW0500-57-2

DW0500-57 DOUBLE WALL TANK

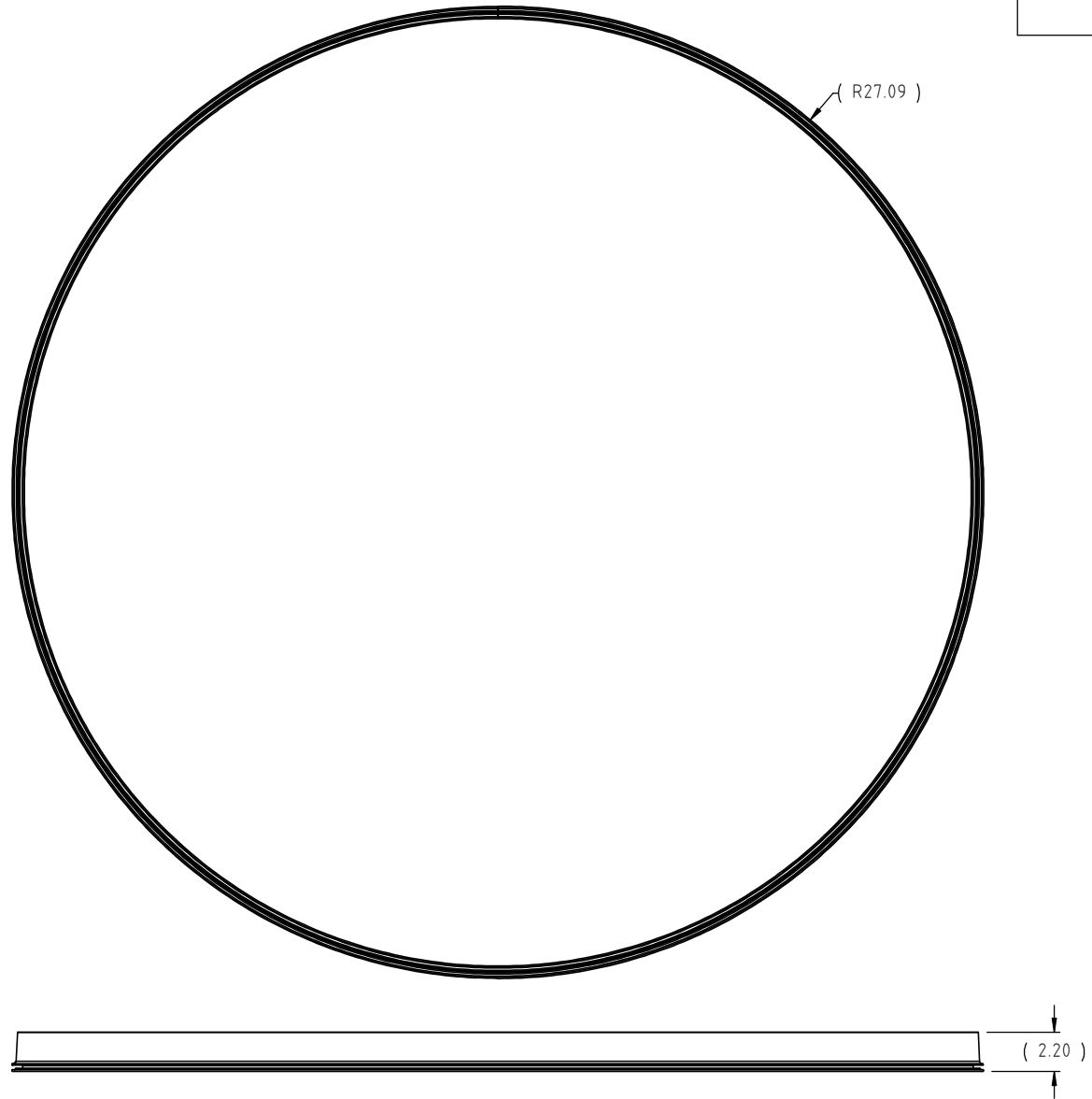
STANDARD COMPONENTS



© DEN HARTOG INDUSTRIES, INC.

Copyright. All information furnished within this document, electronic file or design correspondence is the property of Den Hartog industries, Inc. and shall not be used, disclosed to others or copied without the expressed written consent of Den Hartog Industries, Inc.

14213



				DRAWN / DATE ADH 7/14/14	MATERIAL EPDM
				APPROD. / DATE REH 10/30/14	
REV	DESCRIPTION	BY / DATE	CCN		
ALL DIMENSIONS ARE IN DECIMAL INCHES TOLERANCES UNLESS OTHERWISE SPECIFIED		THIRD ANGLE PROJECTION ANSI 14.5M		SHOT WEIGHT:	NOTES: 1.) PURCHASED 2.) 166.50 IN LENGTH
POLYETHYLENE		METAL DECIMAL ± .125" FRACTION ± 1/4" ANGLE ± 1°		SHIPPING WEIGHT:	
±1% @ 68°F				FINISH:	



Den Hartog
INDUSTRIES, INC.

Ace Roto-Mold Injection Molding Blow Molding Sowjoy
4010 HOSPERS DRIVE S. BOX 425, HOSPERS, IOWA 51238-0425

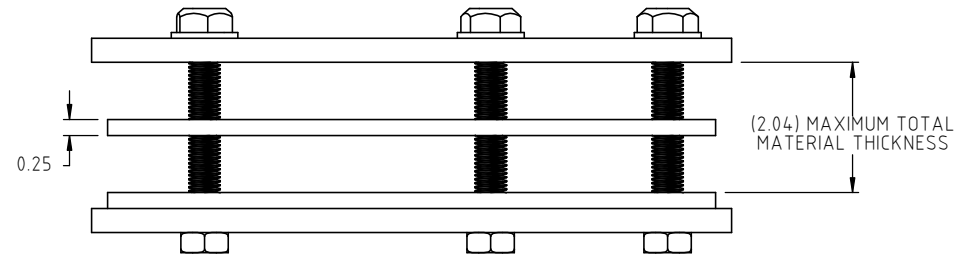
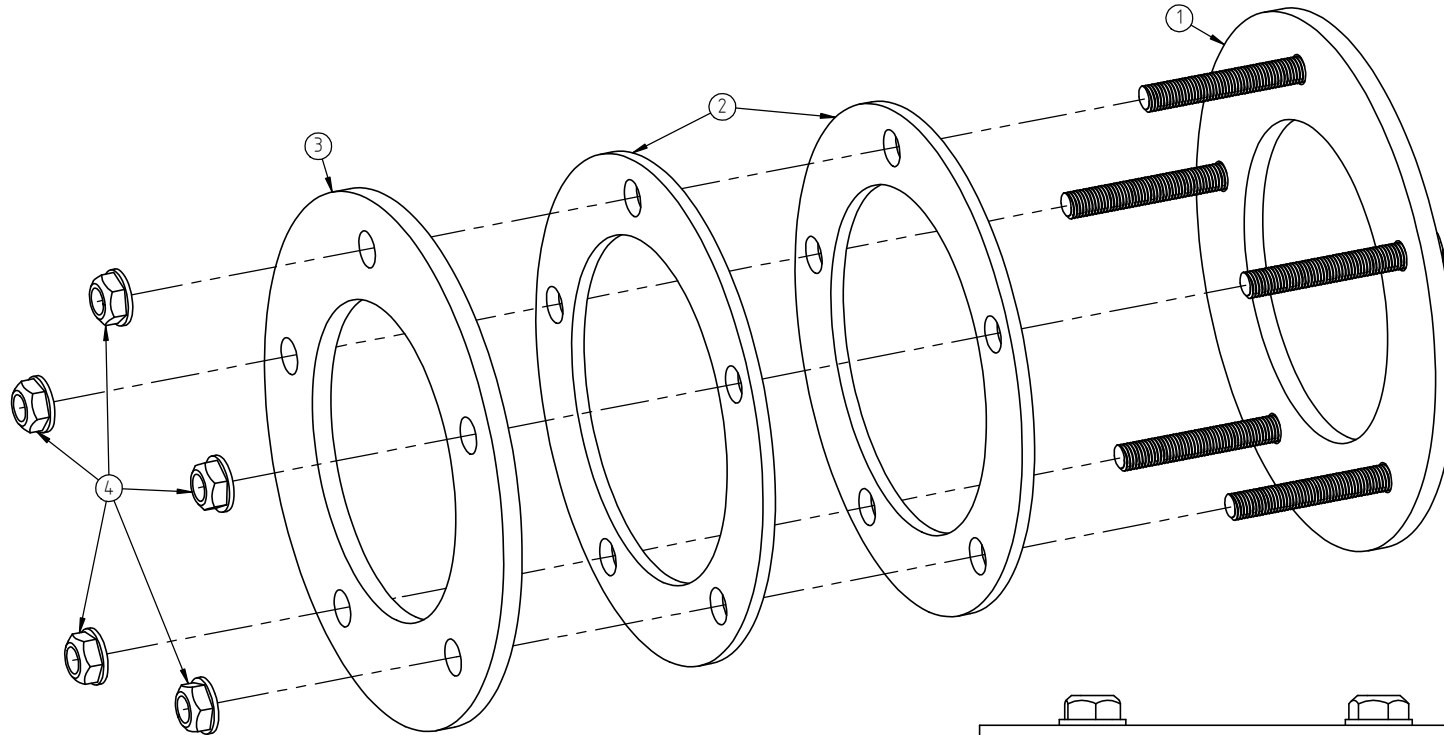
DESCRIPTION 57 INCH DIAMETER DOUBLE WALL TANK- GASKET	
SCALE N.S.	PART NO. 14213

© DEN HARTOG INDUSTRIES, INC.

Copyright. All information furnished within this document, electronic file or design correspondence is the property of Den Hartog Industries, Inc. and shall not be used, disclosed to others or copied without the expressed written consent of Den Hartog Industries, Inc.

KEY	PART NUMBER	DESCRIPTION	QTY.
1	19564	2" FITTING RING WELDMENT	1
2	19555	2" FITTING GASKET	2
3	19566	2" FITTING RING	1
4	19568	NUT, 1/2" SS	5

19563



				DRAWN / DATE ADH 9/26/14	MATERIAL SEE COMPONENTS
				APPRO. / DATE REH 10/29/14	
REV	DESCRIPTION	BY / DATE	CCN		
ALL DIMENSIONS ARE IN DECIMAL INCHES TOLERANCES UNLESS OTHERWISE SPECIFIED		THIRD ANGLE PROJECTION ANSI 14.5M		SHOT WEIGHT:	NOTES: 1.) PATENT PENDING
POLYETHYLENE		METAL DECIMAL ± .125" FRACTION ± 1/4" ANGLE ± 1°		SHIPPING WEIGHT:	
±1% @ 68°F				FINISH: NONE	



Den Hartog
INDUSTRIES, INC.

Ace Roto-Mold Injection Molding Blow Molding Sowjoy

4010 HOSPERS DRIVE S. BOX 425, HOSPERS, IOWA 51238-0425

DESCRIPTION 2" DUAL LINE™ TANK FITTING RING ASSEMBLY

SCALE N.S.

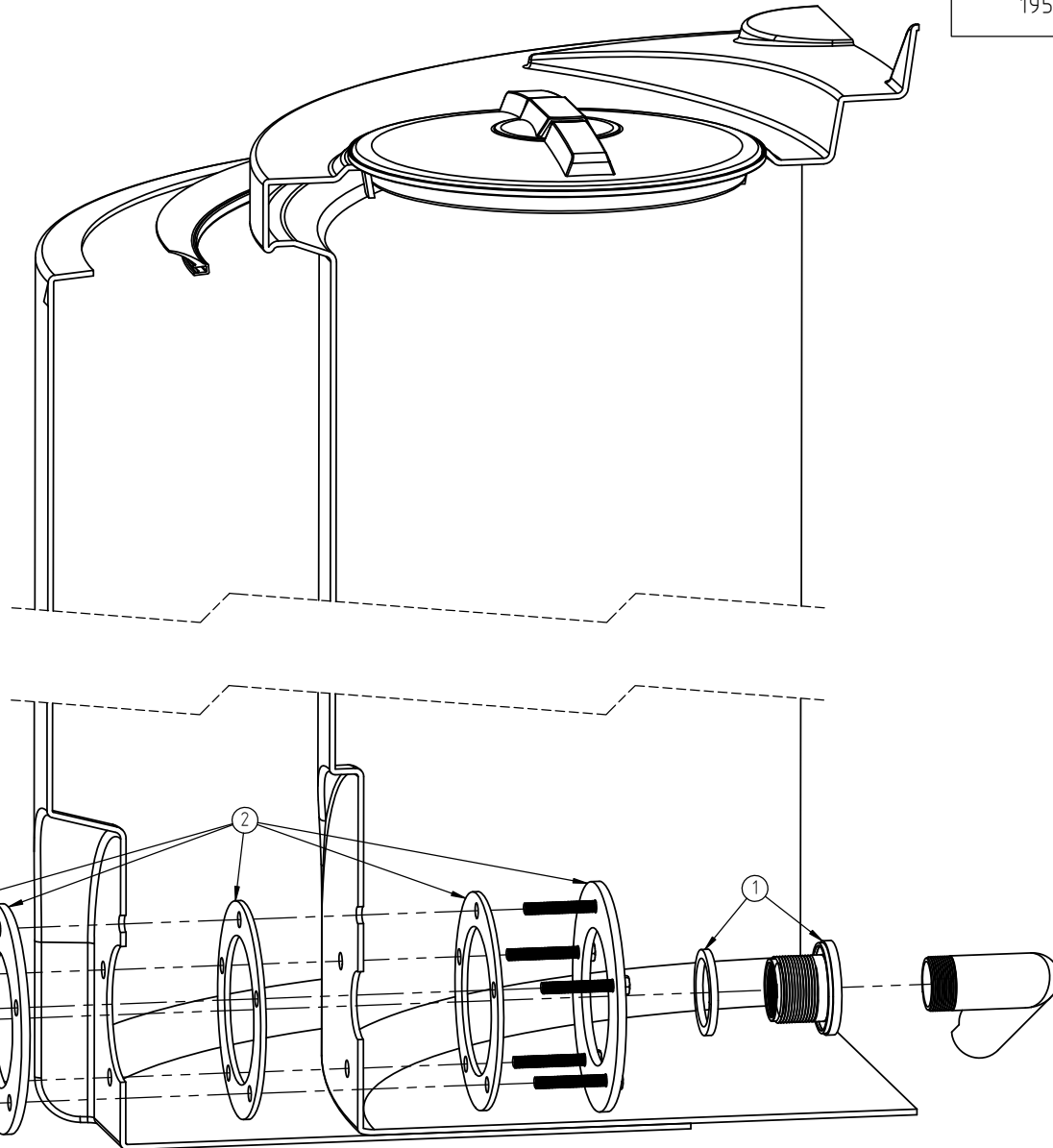
PART NO. 19563

© DEN HARTOG INDUSTRIES, INC.

Copyright. All information furnished within this document, electronic file or design correspondence is the property of Den Hartog Industries, Inc. and shall not be used, disclosed to others or copied without the expressed written consent of Den Hartog Industries, Inc.

19563 INSTALL

KEY	PART NUMBER	DESCRIPTION	QTY.
1	10508	BULKHEAD, 2" FITTING	1
2	19563	2" DOUBLE WALL RING ASSEMBLY	1
3	10488		1



				DRAWN / DATE ADH 10/16/13	MATERIAL
				APPRD. / DATE REH 10/29/14	
REV	DESCRIPTION	BY / DATE	CCN	SHOT WEIGHT:	NOTES:
				SHIPPING WEIGHT:	1) PATENT PENDING
				FINISH:	
ALL DIMENSIONS ARE IN DECIMAL INCHES TOLERANCES UNLESS OTHERWISE SPECIFIED		THIRD ANGLE PROJECTION ANSI 14.5M			
POLYETHYLENE ±1% @ 68°F					
METAL DECIMAL ± .125" FRACTION ± 1/4" ANGLE ± 1°					



Den Hartog
INDUSTRIES, INC.

Ace Roto-Mold Injection Molding Blow Molding Sowjoy

4010 HOSPERS DRIVE S. BOX 425, HOSPERS, IOWA 51238-0425

DESCRIPTION	OPTIONAL 2" FITTING ASSEMBLY INSTALLATION	
SCALE	N.S.	PART NO. 19563 INSTALL