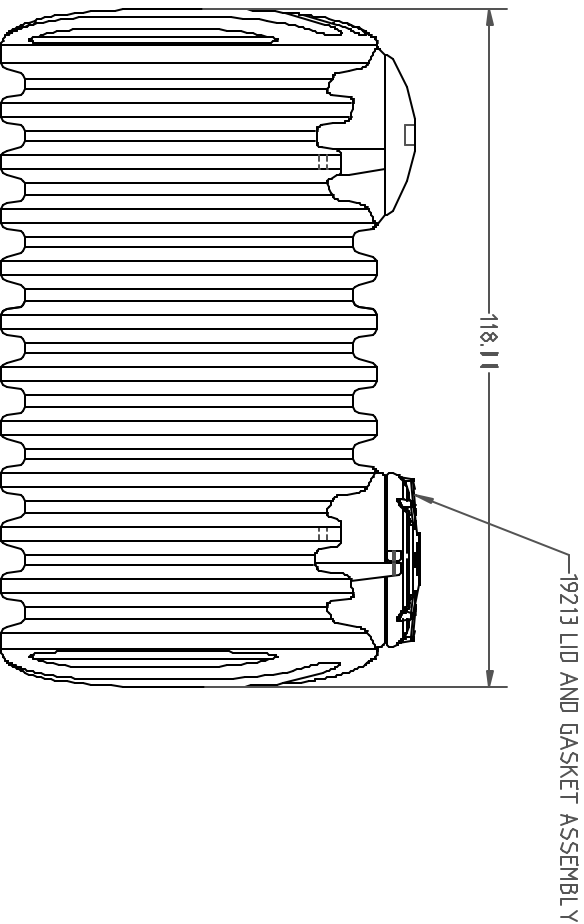
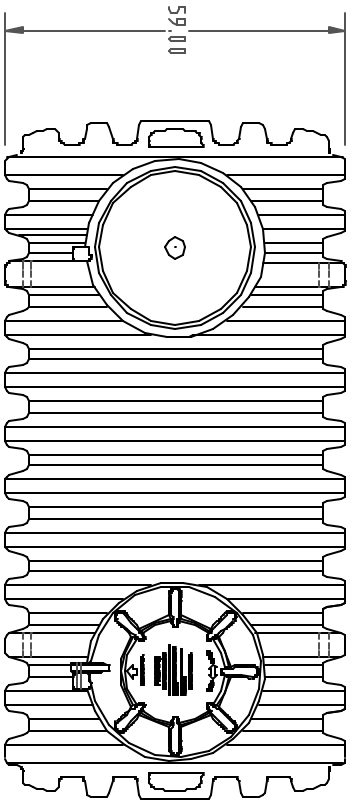
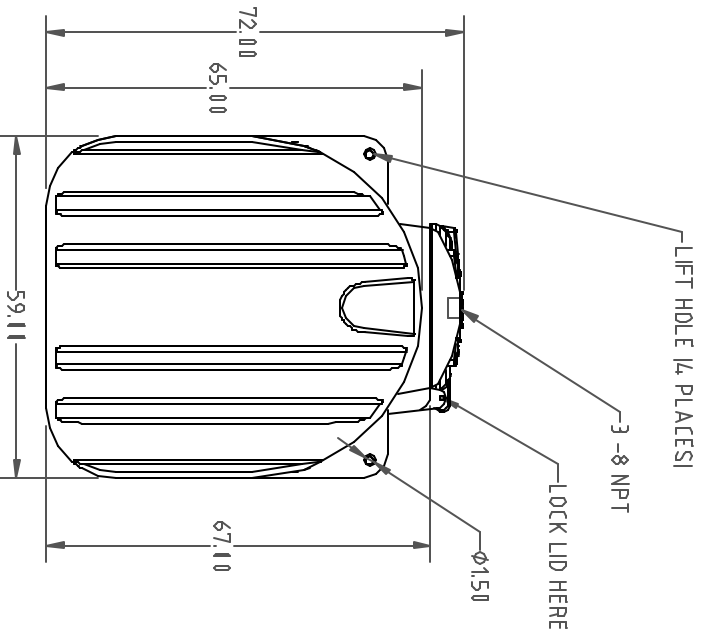


PROPRIETARY DATA

AST-1450-1W

PROPERTY OF ACE ROTO-MOLD MFG., INC. INFORMATION FURNISHED HEREIN IS THE PROPERTY OF ACE ROTO-MOLD MFG., INC. AND SHALL NOT BE USED, DISCLOSED TO OTHERS, OR COPIED WITHOUT THE EXPRESSED WRITTEN CONSENT OF ACE ROTO-MOLD MFG., INC. ALL RIGHTS RESERVED.

(A) REFERENCE PUBLICATION 10039 FOR SEPTIC TANKS OR PUBLICATION 10149 FOR CISTERN TANKS FOR SPECIFIC INSTALLATION GUIDELINES.



REV	DESCRIPTION	DATE	APPRO	DH1	DATE	REH	DATE
C	CHANGE TO ONE LD				3/17/16		
B	CHANGE WEIGHT WAS 4.2				3/17/16		
A	ADDED PUBLICATION REF				9/21/15		

MATERIAL

EXXON HOBASIL HDPE OR EQUIVALENT
REFERENCE MATERIAL DATA SHEET
FOR SPECIFIC PROPERTIES.

NOTES:

1. MIN. WALL @ .251
2. NATURAL COLOR
3. SHOT WEIGHT 4.73 LBS.

CLIENT / DESCRIPTION



Ace Roto-Mold
A DIVISION OF DEN HARTOG INDUSTRIES, INC.
4018 HWY. 80 BLVD., BOX 421, HOBRENB, IOWA 51238

1450 GAL. SINGLE
CISTERN TANK

SCALE

N.S.

PART NO.

AST-1450-1W

ALL DIMENSIONS ARE IN DECIMAL INCHES
TOLERANCES UNLESS OTHERWISE SPECIFIED
± 1% @ 68° F

