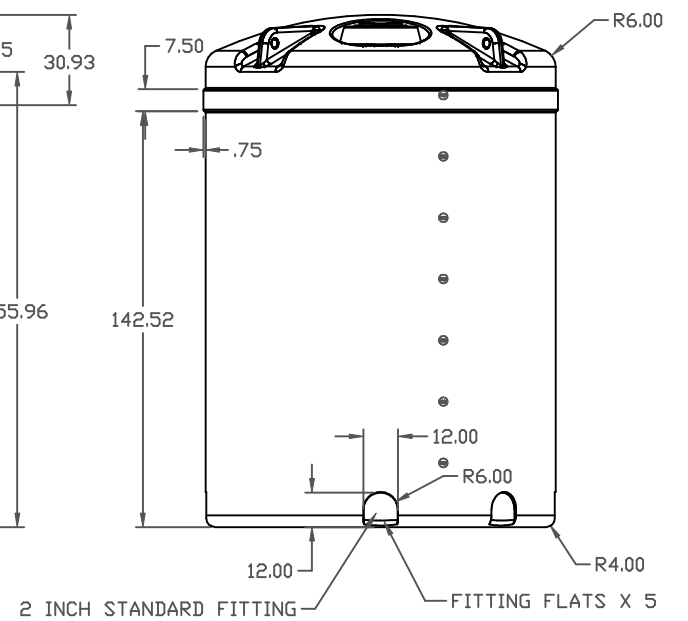
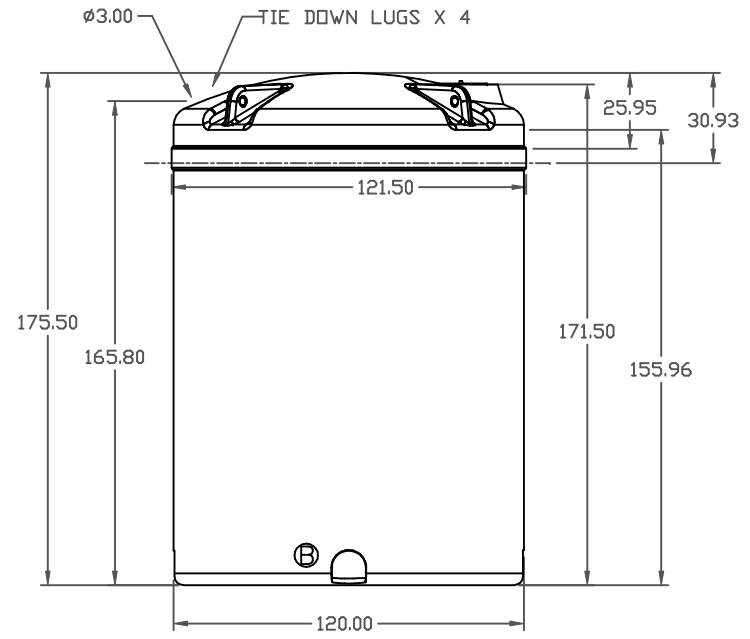
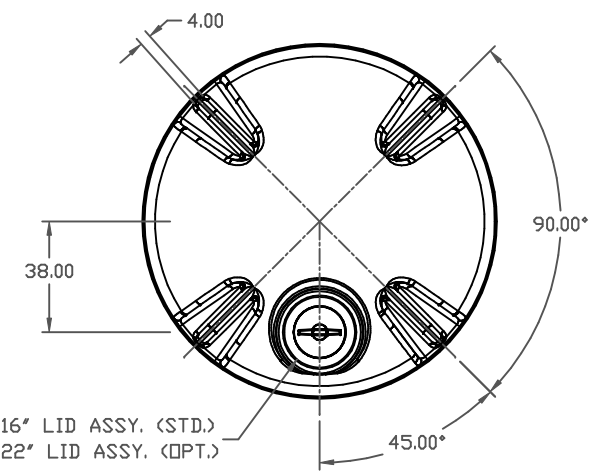
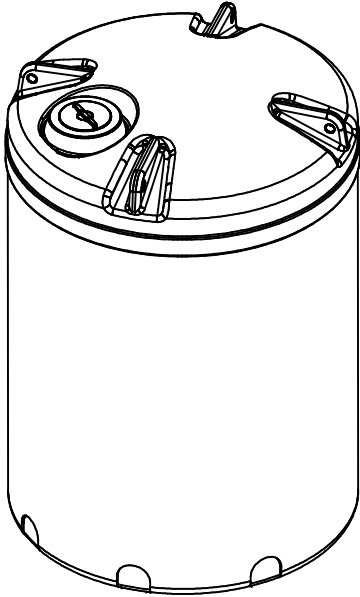


Copyright. All information furnished within this document, electronic file or design correspondence is the property of Den Hartog industries, Inc. and shall not be used, disclosed to others or copied without the expressed written consent of Den Hartog industries, Inc.



				DRAWN / DATE REH/11/3/00	MATERIAL 2 MELT
B	CORRECT VIEW PERSPECTIVE. DRAWING TEMPLATE UPDATED, ADD THICKNESS	DHJ 6/25/09	1895	APPRD. / DATE DHJ/11/3/00	
A	NEW FORMAT	DHJ 2/11/09			
REV	DESCRIPTION	BY / DATE	CCN		
ALL DIMENSIONS ARE IN DECIMAL INCHES TOLERANCES UNLESS OTHERWISE SPECIFIED		THIRD ANGLE PROJECTION ANSI 14.5M		SHOT WEIGHT: 1900 LBS.	NOTES: ①
POLYETHYLENE		METAL		SHIPPING WEIGHT: 1902 LBS.	1. .96 WALL @ FLAT
±1% @ 68° F		DECIMAL ± .125" FRACTION ± 1/4" ANGLE ± 1°		FINISH:	



Den Hartog
INDUSTRIES, INC.

Ace Roto-Mold Injection Molding Blow Molding SowJoy
4010 HOSPERS DRIVE S. BOX 425, HOSPERS, IOWA 51238-0421

DESCRIPTION	7800 GALLON VERTICAL TANK	
SCALE	N.S.	PART NO. VT7800-120