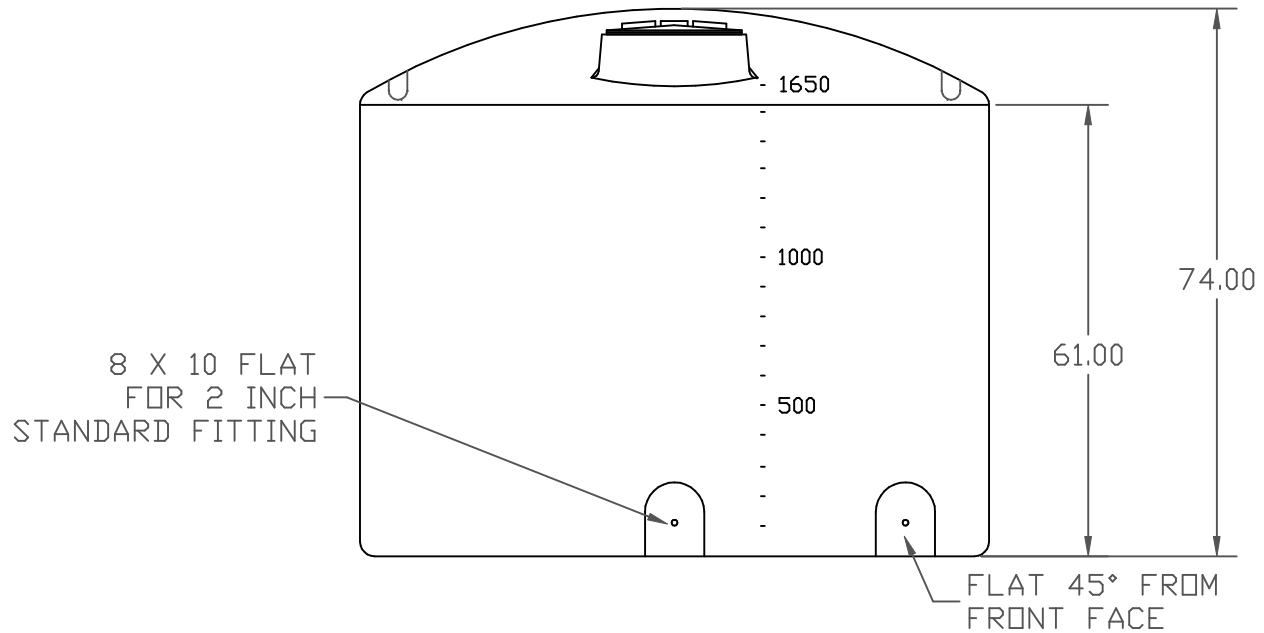
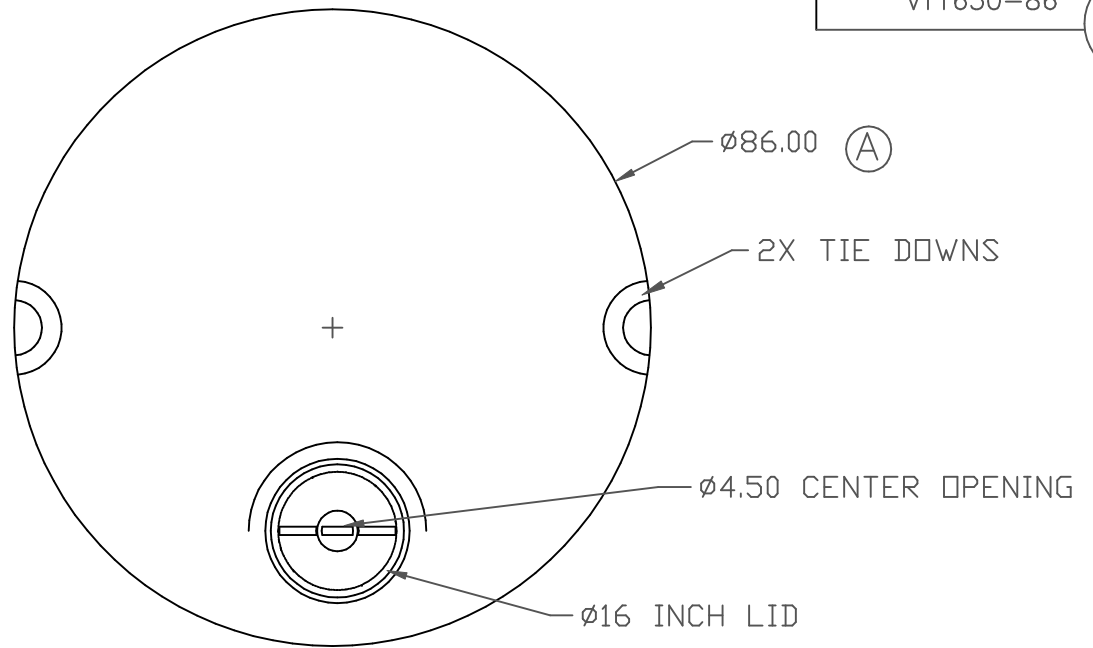



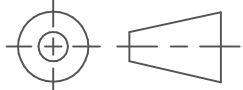
PROPRIETARY DATA

VT1650-86

B

PROPERTY OF DEN HARTOG INDUSTRIES, INC. INFORMATION FURNISHED HEREIN IS THE PROPERTY OF DEN HARTOG INDUSTRIES, INC. AND SHALL NOT BE USED, DISCLOSED TO OTHERS, OR COPIED WITHOUT THE EXPRESSED WRITTEN CONSENT OF DEN HARTOG INDUSTRIES, INC. ALL RIGHTS RESERVED.



B CORRECT SHOT WEIGHT		9/6/06	DRAWN / DATE DHJ 1/14/05		MATERIAL HDPE OR EQUIVALENT REFERENCE MATERIAL DATA SHEET FOR SPECIFIC PROPERTIES.	 <b>ACE ROTO-MOLD</b> A DIVISION OF DEN HARTOG INDUSTRIES, INC. 4010 HWY. 60 BLVD, BOX 425, HOSPERS, IOWA 51238	
A DIAMETER WAS 85, PN WAS VT1650-85		7/31/06	APPRD	APPRD. / DATE ADH 11/20/07			
REV	DESCRIPTION	DATE	APPRD	THIRD ANGLE PROJECTION ANSI 14.5M		NOTES: 1. NOM. WALL $\phi$ .300 2. SHOT WEIGHT 278 LBS.	SCALE N.S.
ALL DIMENSIONS ARE IN DECIMAL INCHES TOLERANCES UNLESS OTHERWISE SPECIFIED $\pm$ 1% $\phi$ 68° F						PART NO. VT1650-86	