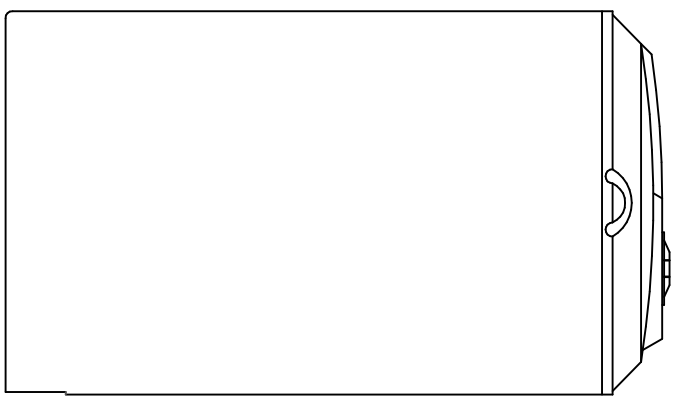
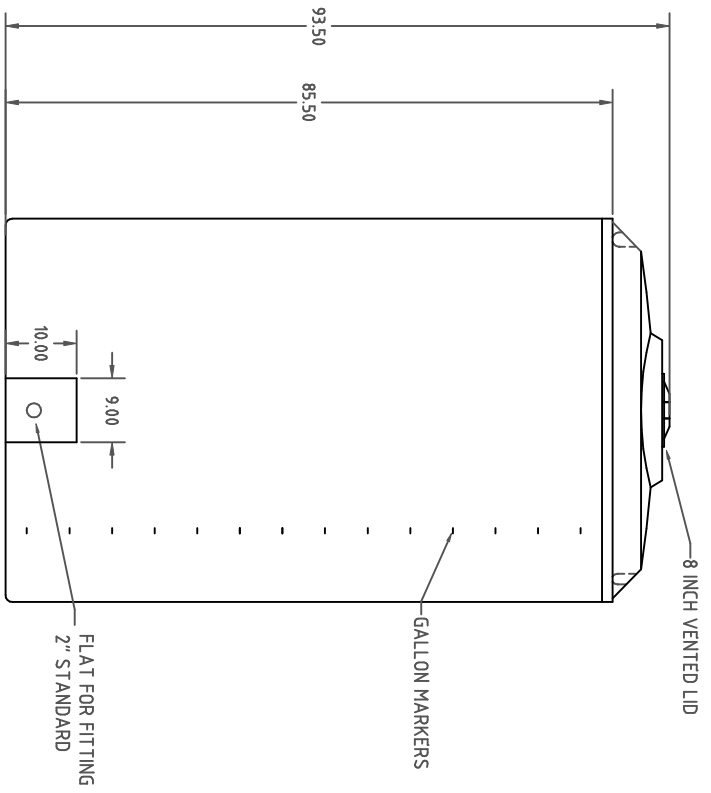
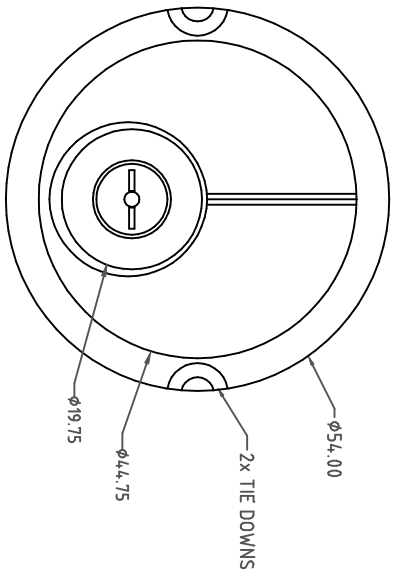


Copyright: All information furnished within this document, electronic file or design correspondence is the property of Den Hartog Industries, Inc. and shall not be used, disclosed to others or copied without the expressed written consent of Den Hartog Industries, Inc.



B	ADDRESS ADDED CCN 1856 ADH 5/5/09	
A	CHANGED TOP 9/8/05	
REV	DESCRIPTION	DATE APPRD.

DRAWN / DATE	DHJ 5/2/03
APPRD. / DATE	ADH 11/19/07
THIRD ANGLE PROJECTION	ANSI 14.5M

MATERIAL / SHOT WEIGHT	POLYETHYLENE 182 LBS.
NOTES:	1. .28 NOM. WALL 2. OPTIONAL 16" LID

Ace Roto-Mold
 A DIVISION OF DEN HARTOG INDUSTRIES, INC.
 4010 HOSPERS DRIVE S. BOX 425, HOSPERS, IOWA 51238-0421 ©

CLIENT / DESCRIPTION: 850 GALLON VERTICAL

SCALE: NONE PART NO.: VT0850-54

ALL DIMENSIONS ARE IN DECIMAL INCHES
 TOLERANCES UNLESS OTHERWISE SPECIFIED
 ± 1% @ 68° F

