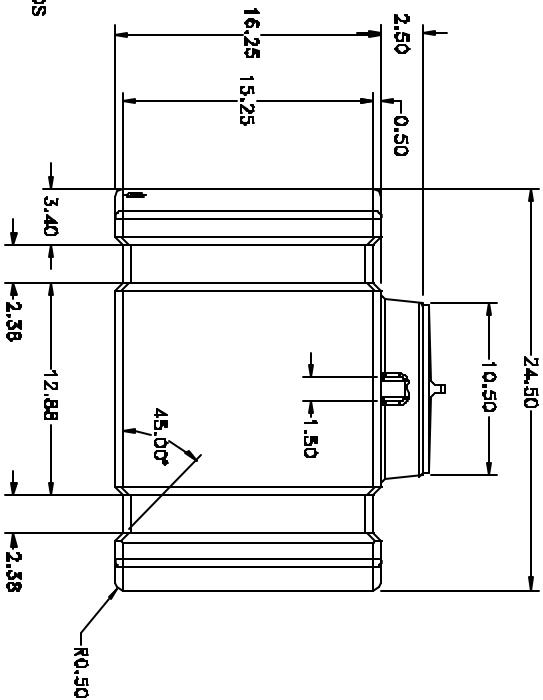
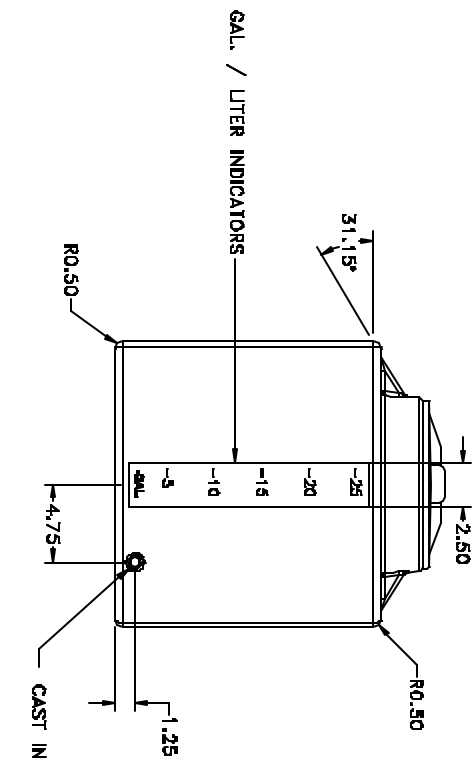
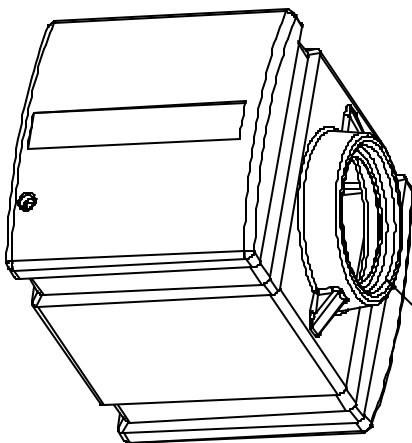
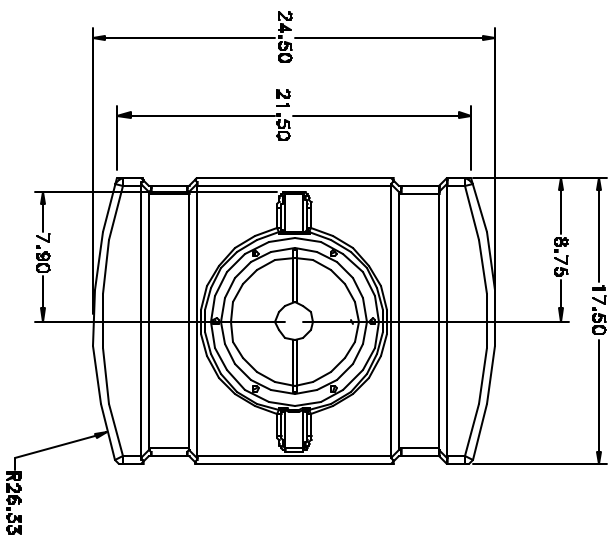


SP0026-RT

BOSS FOR 8" ACE LID ASSY.



REV	DESCRIPTION	DATE	APPRD	DRAWN / DATE	REH / 1/27/99

MATERIAL:
MOBIL 134 / NAT. COLOR
SHOT WT. = 14.0 LB.

ACE ROTO-MOLD
A DIVISION OF DEN HARTOG INDUSTRIES, INC.
4018 HWY. 60 BLVD., BOX 421 HOSPERS, IOWA 51238

REV	DESCRIPTION	DATE	APPRD	DRAWN / DATE	REH / 1/27/99

THIRD ANGLE PROJECTION
FIRST ANGLE PROJECTION

CLIENT / DESCRIPTION
26 GAL. TANK

SCALE N.S. PART NO. SP0026-RT

ALL DIMENSIONS ARE IN DECIMAL INCHES
TOLERANCES UNLESS OTHERWISE SPECIFIED
+ 1% @ 68° F