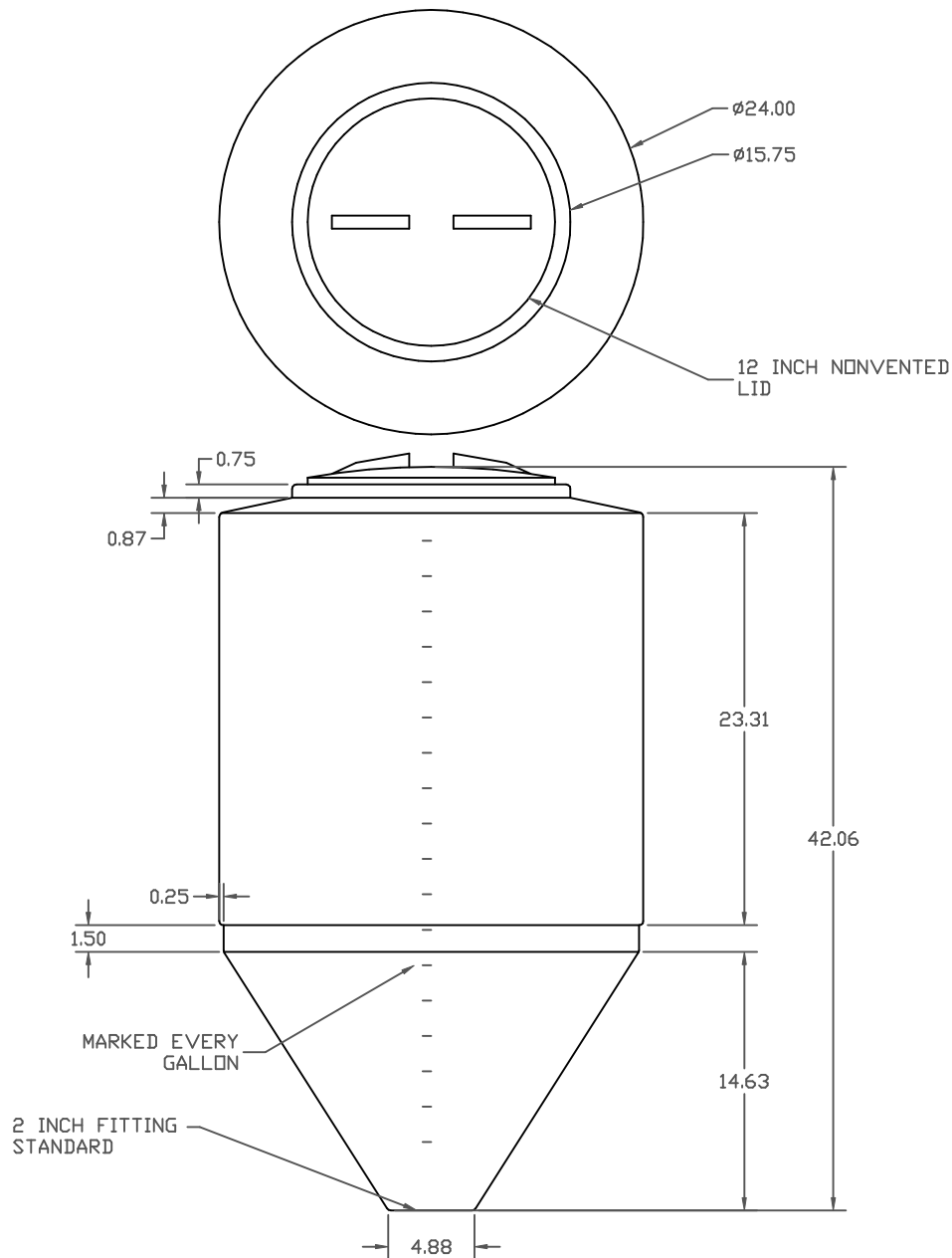



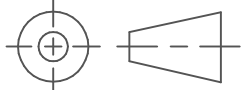
PROPRIETARY DATA

PROPERTY OF ACE ROTO-MOLD MFG., INC. INFORMATION FURNISHED HEREIN IS THE PROPERTY OF ACE ROTO-MOLD MFG., INC. AND SHALL NOT BE USED, DISCLOSED TO OTHERS, OR COPIED WITHOUT THE EXPRESSED WRITTEN CONSENT OF ACE ROTO-MOLD MFG., INC. ALL RIGHTS RESERVED.

IN0060-24

A



				DRAWN / DATE DHJ 4/19/05	MATERIAL		 ACE ROTO-MOLD A DIVISION OF DEN HARTOG INDUSTRIES, INC. 4018 HWY. 60 BLVD., BOX 421, HOSPERS, IOWA 51238	
				APPRD. / DATE ADH 11/14/07	HDPE OR EQUIVALENT REFERENCE MATERIAL DATA SHEET FOR SPECIFIC PROPERTIES.			
A	NEW PRINT FORMAT	2/7/06	NVE			CLIENT / DESCRIPTION		60 GALLON INDUCTOR TANK
REV	DESCRIPTION	DATE	APPRD			SCALE	PART NO.	
ALL DIMENSIONS ARE IN DECIMAL INCHES TOLERANCES UNLESS OTHERWISE SPECIFIED \pm 1% @ 68° F				THIRD ANGLE PROJECTION ANSI 14.5M 		NOTES: 1. .22 NOM. WALL 2. SHOT WEIGHT 22 LBS.		N.S. IN0060-24