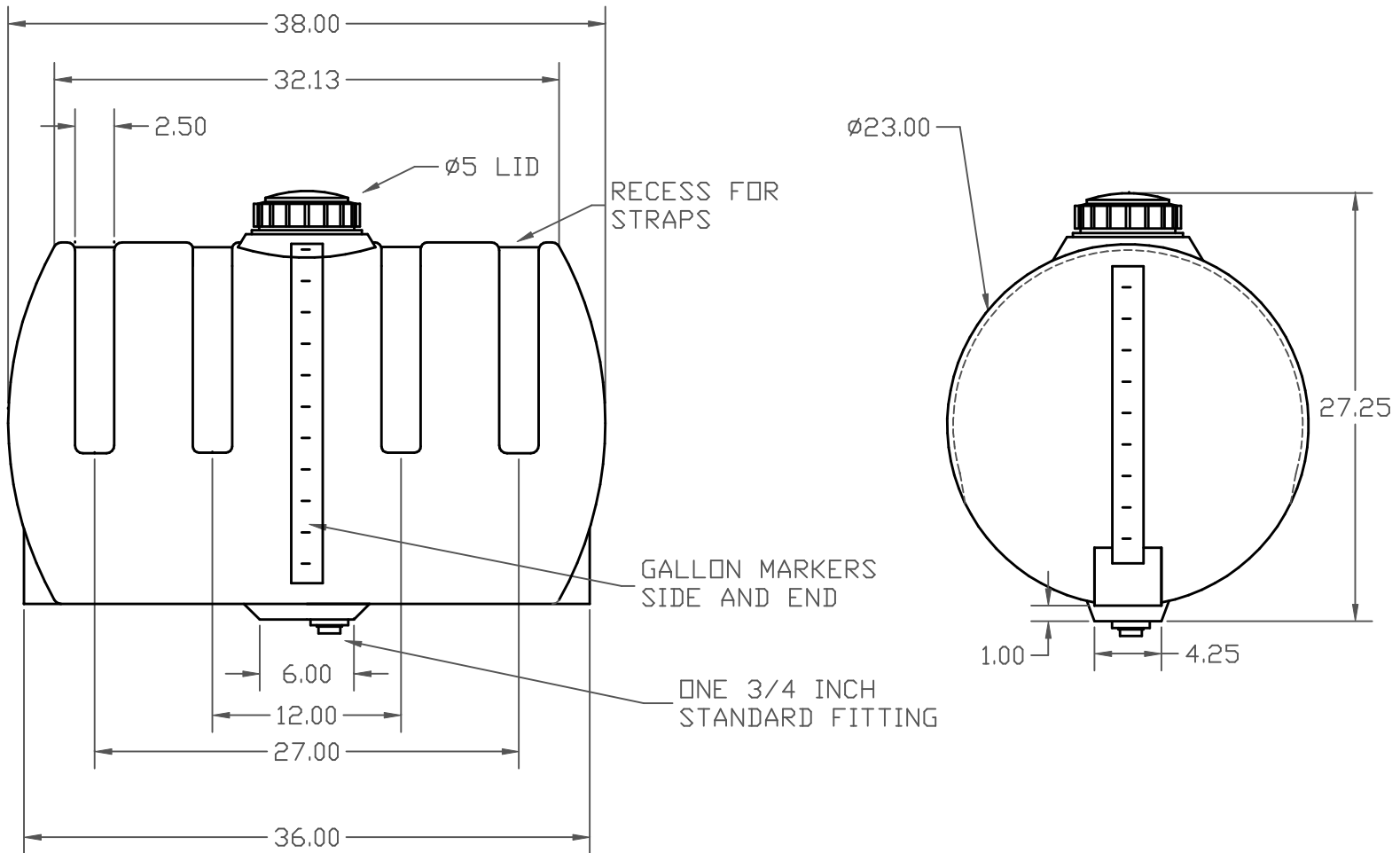


PROPRIETARY DATA

PROPERTY OF ACE ROTO-MOLD MFG., INC. INFORMATION FURNISHED HEREIN IS THE PROPERTY OF ACE ROTO-MOLD MFG., INC. AND SHALL NOT BE USED, DISCLOSED TO OTHERS, OR COPIED WITHOUT THE EXPRESSED WRITTEN CONSENT OF ACE ROTO-MOLD MFG., INC. ALL RIGHTS RESERVED.

HZ0055-23

A



				DRAWN / DATE NVE 6/6/05	MATERIAL
A	UPDATE FITTING	9/6/06	APPRD. / DATE DHJ 6/21/05		HDPE OR EQUIVALENT REFERENCE MATERIAL DATA SHEET FOR SPECIFIC PROPERTIES.
REV	DESCRIPTION	DATE	APPRD		
ALL DIMENSIONS ARE IN DECIMAL INCHES TOLERANCES UNLESS OTHERWISE SPECIFIED $\pm 1\%$ @ 68° F				THIRD ANGLE PROJECTION ANSI 14.5M 	NOTES: 1. NOM. WALL @ 0.200 2. WHITE OR COLOR 3. SHOT WEIGHT 23 LBS.

<p>ACE ROTO-MOLD A DIVISION OF DEN HARTOG INDUSTRIES, INC. 4018 HWY. 60 BLVD., BOX 421, HOSPERS, IOWA 51238</p>	
CLIENT / DESCRIPTION 55 GALLON HORIZONTAL TANK	
SCALE N.S.	PART NO. HZ0055 -23