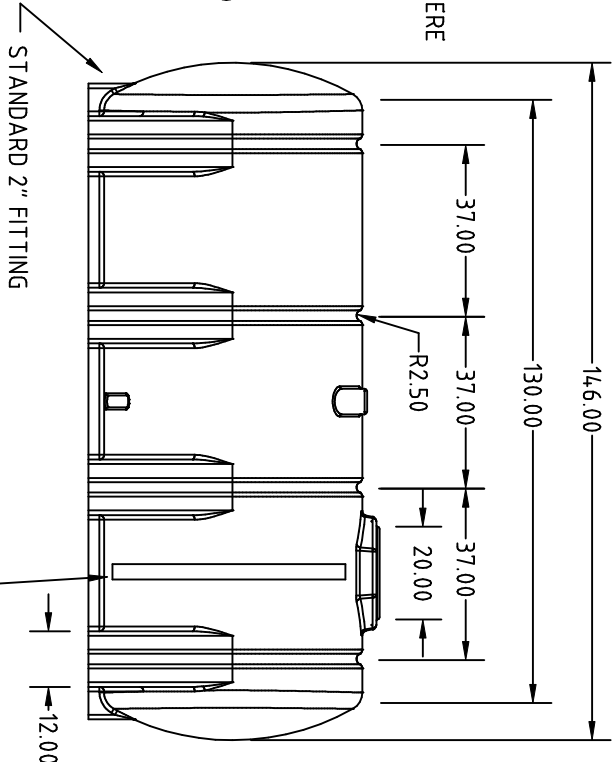
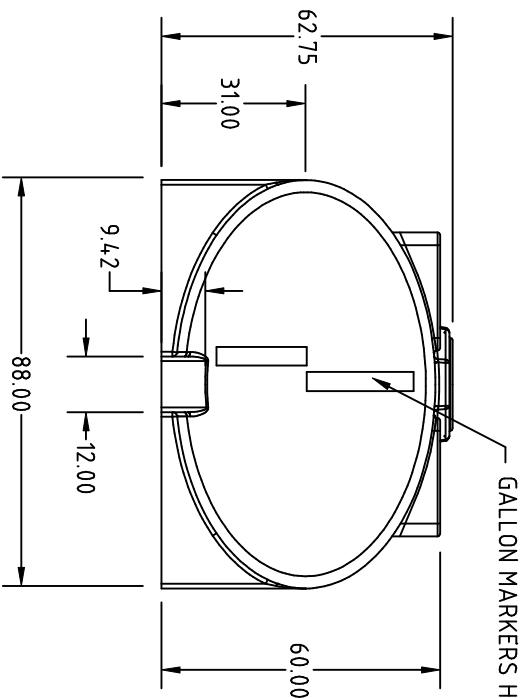
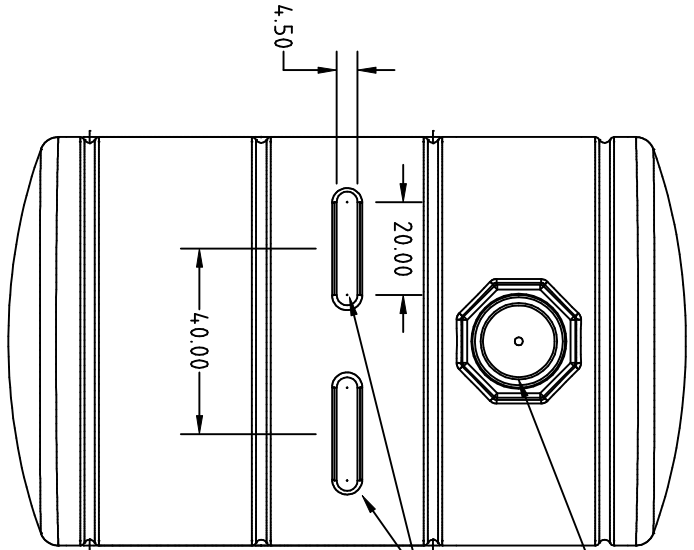


Copyright. All information furnished within this document, electronic file or design correspondence is the property of Den Hartog Industries, Inc. and shall not be used, disclosed to others or copied without the expressed written consent of Den Hartog Industries, Inc.

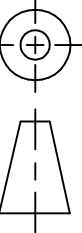


B	TOLERANCE AND ADDRESS UPDATED CEN 18001	2/16/09 ADH
A	CHANGE PART #	4/6/06
REV	DESCRIPTION	DATE APPRD

DRAWN / DATE
REH/9/22/04

APPRD. / DATE
REH/9/22/04

THIRD ANGLE PROJECTION
ANSI 14.5M



MATERIAL / SHOT WEIGHT

M111 M134 U625 P938

840

NOTES:

- .480 NOMINAL WALL
- BLUE, BLACK, WHITE OR YELLOW COLOR

CLIENT / DESCRIPTION

ACE 2350 GALLON ELLIPTICAL LEG TANK

ACE ROTO-MOLD
A DIVISION OF DEN HARTOG INDUSTRIES, INC.
4010 HOSPERS DRIVE S. BOX 425, HOSPERS, IOWA 51238-0421

SCALE

N.S.

PART NO.

FS2350-88

ALL DIMENSIONS ARE IN DECIMAL INCHES
TOLERANCES UNLESS OTHERWISE SPECIFIED
± 1% @ 68° F