

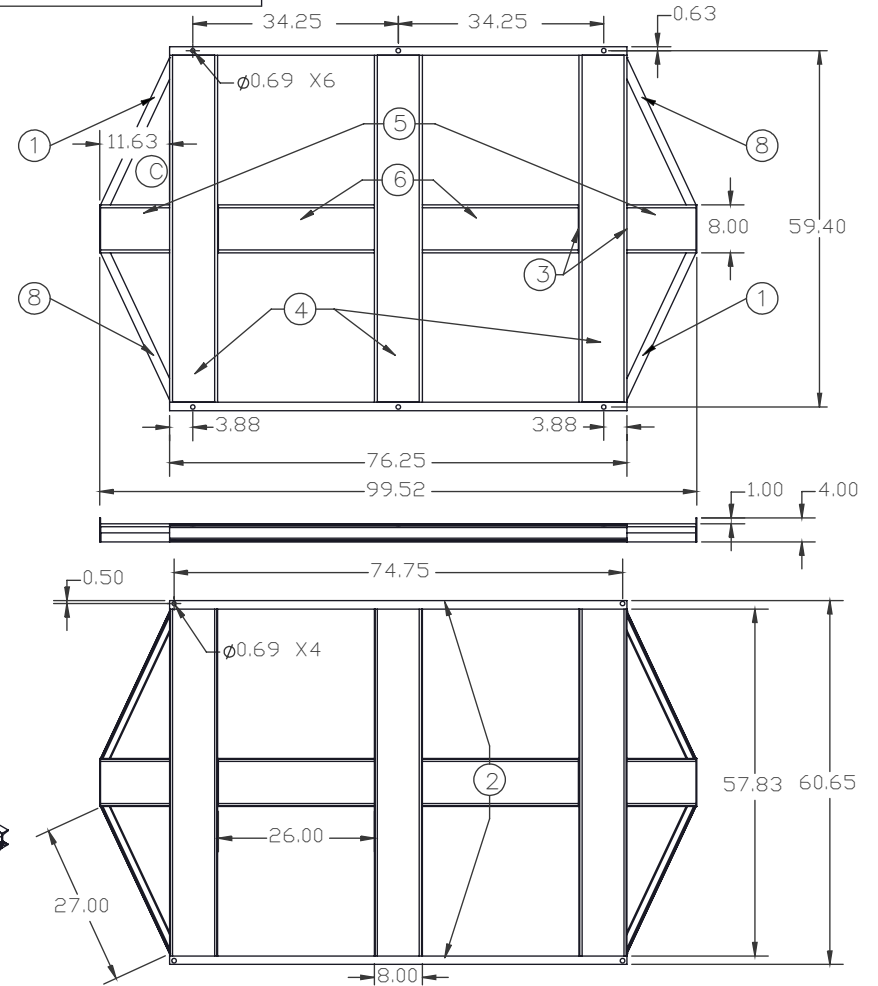
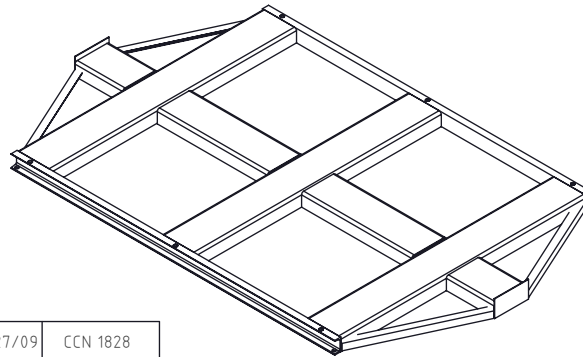
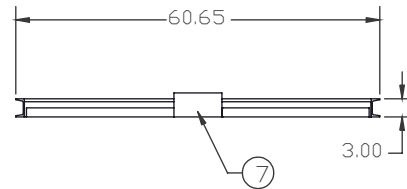
Copyright. All information furnished within this document, electronic file or design correspondence is the property of Den Hartog Industries, Inc. and shall not be used, disclosed to others or copied without the expressed written consent of Den Hartog Industries, Inc.

KEY	PART NUMBER	PART NUMBER	DESCRIPTION	QTY.
1	FS1065-SKW-1	A01875X15000	3/16 X 1.5 ANGLE	2 @ 27" (54 IN)
2	FS1065-SKW-2	C03X41	3" CHANNEL	2 @ 76.25" (152.5 IN)
3	FS1065-SKW-3	R03750	3/8" ROD	6 @ 7.375" (44.25 IN)
4	FS1065-SKW-4	S-10GA	10 GA FORMED CHANNEL	3 @ 13.5" X 57.83" (2342.04 SI)
5	FS1065-SKW-5	S-10GA	10 GA FORMED CHANNEL	2 @ 13.5" X 11.5" (303.5 SI)
6	FS1065-SKW-6	S-10GA	10 GA FORMED CHANNEL	2 @ 13.5" X 26" (702 SI)
7	FS1065-SKW-7	S-10GA	10 GA SHEET	2 @ 8" X 4" (64 SI)
8	FS1065-SKW-8	A01875X15000	3/16 X 1.5 ANGLE	2 @ 27" (54 IN)

FS1065-SKW


D

USE HOOP FS1065-HPFS WITH THIS SKID



D	COMPONENT INFORMATION ADDED TO TABLE DRAWING TEMPLATE UPDATED.	ADH 3/27/09	CCN 1828
C	ADDED 1/2"	DHJ 6/28/07	CCN 1372
B	ADDED BILL OF MATERIALS	NVE 8/1/06	
A	CHANGE HOOP PART #	4/28/06	
REV	DESCRIPTION	BY / DATE	CCN
ALL DIMENSIONS ARE IN DECIMAL INCHES TOLERANCES UNLESS OTHERWISE SPECIFIED		THIRD ANGLE PROJECTION ANSI 14.5M	
POLYETHYLENE		METAL	
±1% @ 68°F		DECIMAL ± .125" FRACTION ± 1/4" ANGLE ± 1°	

DRAWN / DATE	MATERIAL
DHJ 3/20/06	
APPRD. / DATE	
DHJ 4/28/06	
SHOT WEIGHT:	NOTES:
SHIPPING WEIGHT:	
FINISH:	



# Den Hartog INDUSTRIES, INC.

Ace Roto-Mold Injection Molding Blow Molding Sowjoy

4010 HOSPERS DRIVE S. BOX 425, HOSPERS, IOWA 51238-0421

DESCRIPTION	SKID FOR 1065 GALLON FREE STANDING TANK	
SCALE	N.S.	PART NO. FS1065-SKW