

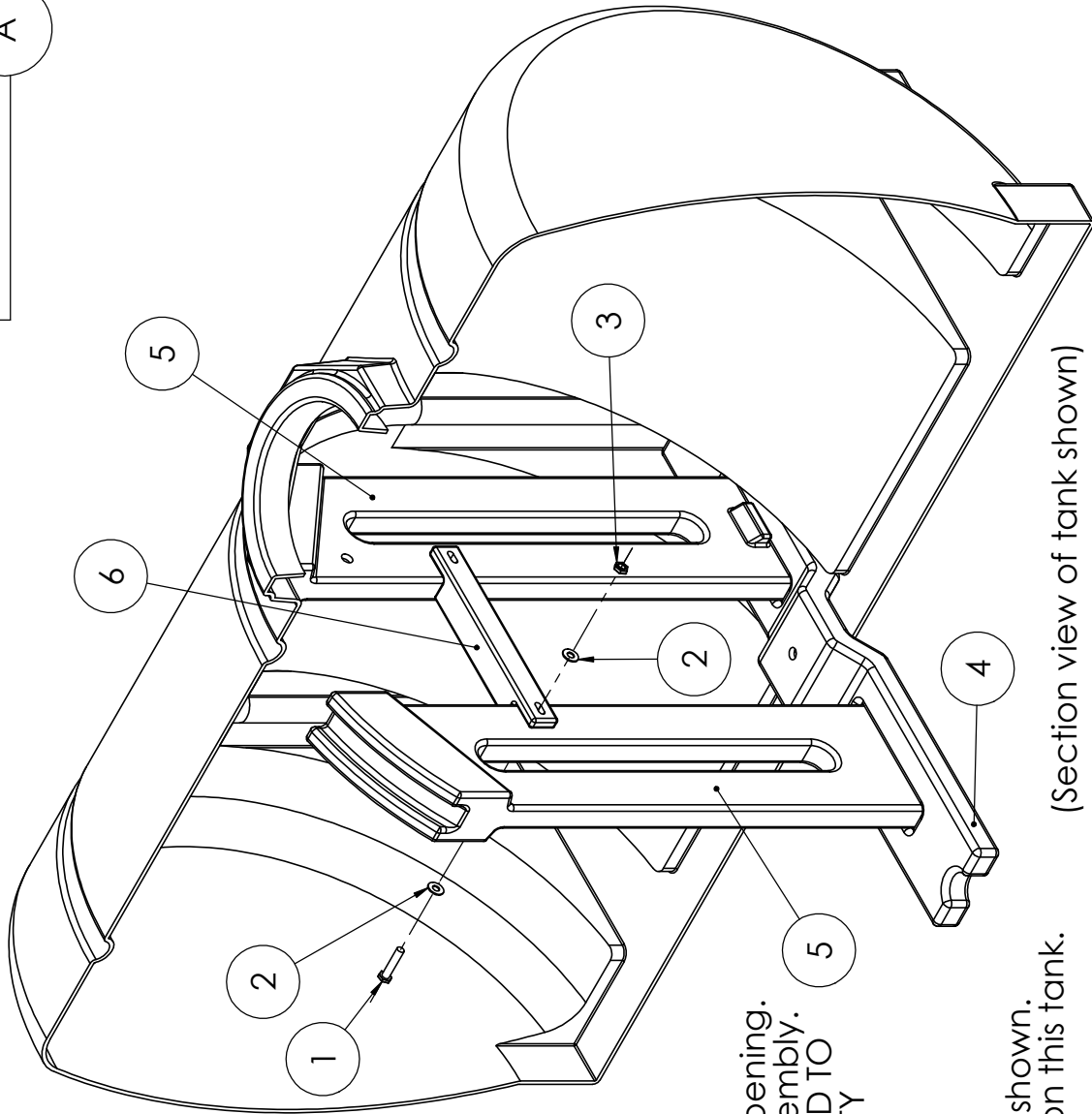
PROPRIETARY DATA

PROPERTY OF ACE ROTO-MOLD MFG., INC. INFORMATION FURNISHED HEREIN IS THE PROPERTY OF ACE ROTO-MOLD MFG., INC. AND SHALL NOT BE USED, DISCLOSED TO OTHERS, OR COPIED WITHOUT THE EXPRESSED WRITTEN CONSENT OF ACE ROTO-MOLD MFG., INC. ALL RIGHTS RESERVED.

COMPONENT	PART NUMBER	Description	QTY.
1	12511	BOLT, 3/8X3" SS (A)	2
2	11094	WASHER, 3/8X1"OD SS	4
3	10223	NUT, 3/8 SS NYLOK	2
4	12468	Baffle Tie	1
5	12131	Baffle	2
6	12465	Baffle Strut	1

Installation Instructions

1. Insert Baffles, Tie and Strut through lid opening. It will be necessary to enter tank for assembly.
2. CAUTION: NEVER ENTER A TANK EXPOSED TO CHEMICALS WITHOUT THE PROPER SAFETY EQUIPMENT.
3. Place Bottom Tie into center leg bay.
4. Engage Baffles into Tie slots.
5. Position Strut between baffles.
6. Fasten Strut to Baffles with hardware as shown.
7. IMPORTANT: 3 Hoops must be installed on this tank.



(Section view of tank shown)

FS1065-BAF

A



Den Hartog
INDUSTRIES, INC.

Ace Roto-Mold Injection Molding Blow Molding Sowjoy

4,010 HOSPERS DRIVE S. BOX 425, HOSPERS, IOWA 51238-0421

DESCRIPTION

1065 Baffle Kit Installation Instructions

SCALE N.S.

PART NO.

FS1065-BAF

MATERIAL

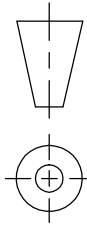
DRAWN / DATE

ADH 6/11/07

APPRD. / DATE

REH/6/15/07

THIRD ANGLE PROJECTION
ANSI Z39.1-97



ALL DIMENSIONS ARE IN DECIMAL INCHES
TOLERANCES UNLESS OTHERWISE SPECIFIED
DECIMAL ± .125"

REV 12511 WAS 12469

DESCRIPTION

REH 11/19/07

BY / DATE

1512

CCN