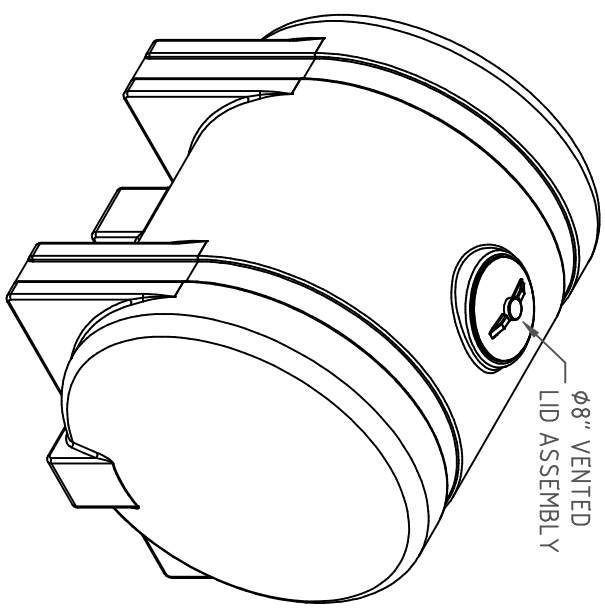
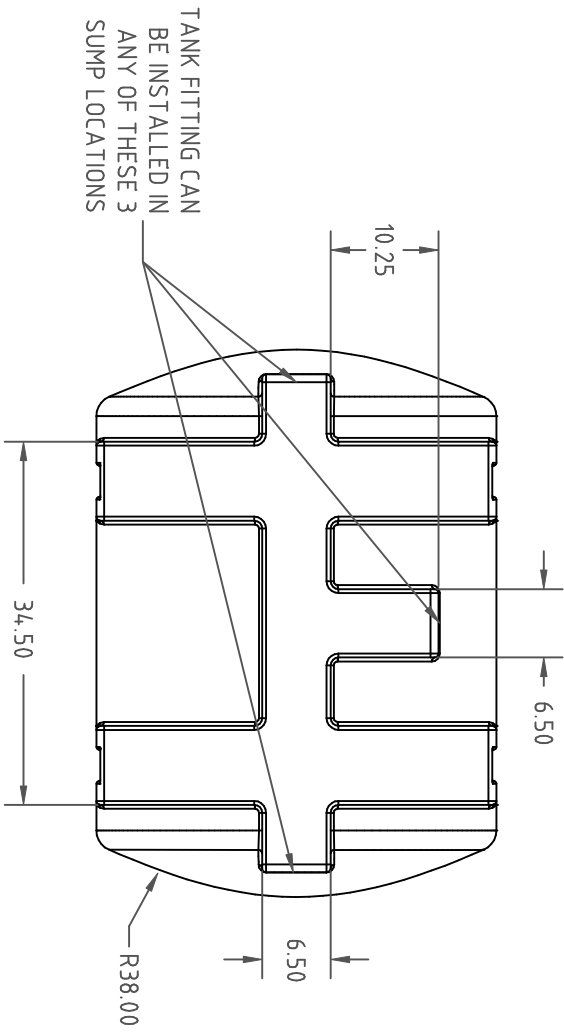
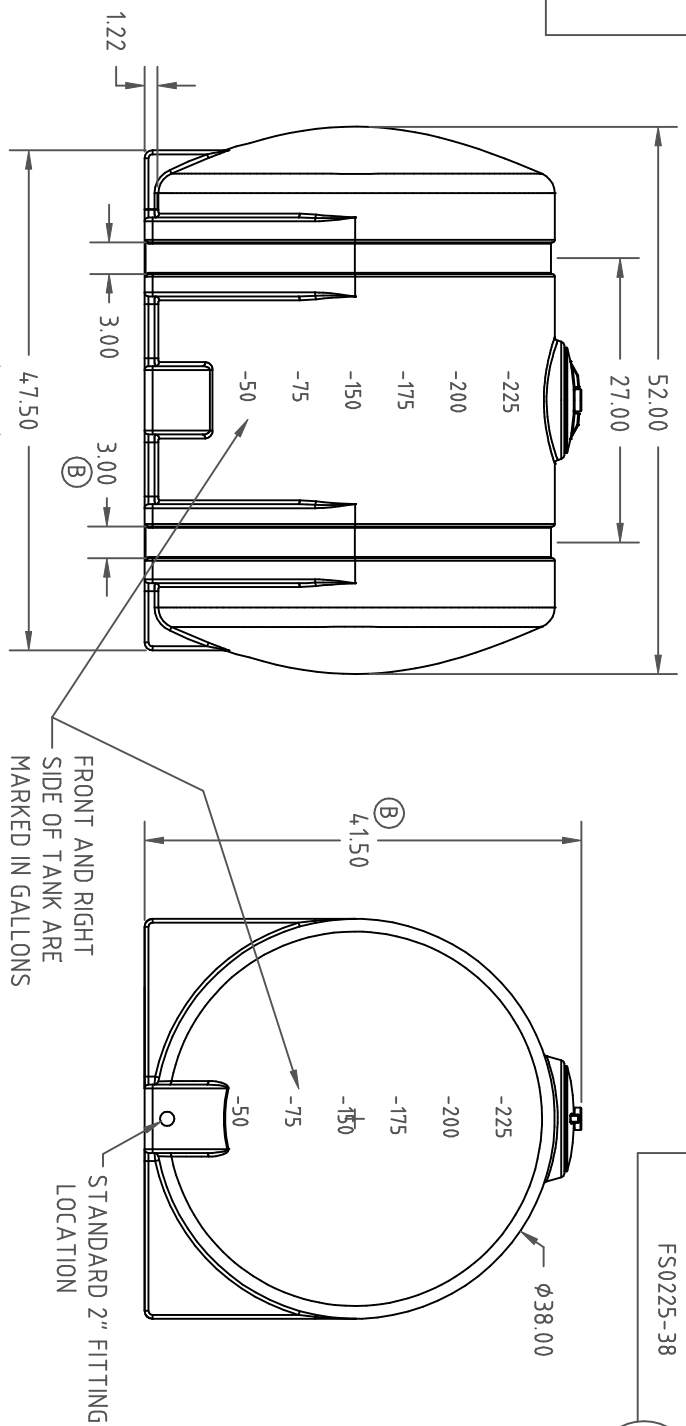


PROPERTY OF DEN HARTOG INDUSTRIES, INC. INFORMATION FURNISHED HEREIN IS THE PROPERTY OF DEN HARTOG INDUSTRIES, INC. AND SHALL NOT BE USED, DISCLOSED TO OTHERS, OR COPIED WITHOUT THE EXPRESSED WRITTEN CONSENT OF DEN HARTOG INDUSTRIES, INC. ALL RIGHTS RESERVED.



C	ADDED STANDARD FITTING LOCATION	12/9/08	DHJ	T65	DRAWN / DATE	DHJ 3/11/94	MATERIAL
B	WIDTH WAS 2.5 AND HEIGHT WAS 4.3	7/25/06	NVE		APPRD. / DATE	ADH 3/11/94	HDPE OR EQUIVALENT REFERENCE MATERIAL DATA SHEET FOR SPECIFIC PROPERTIES.
A	NEW DRAWING FORMAT	10/11/05	NVE				
REV	DESCRIPTION	DATE	APPRD	CCN			

ALL DIMENSIONS ARE IN DECIMAL INCHES
 TOLERANCES UNLESS OTHERWISE SPECIFIED

+ 1% @ 68° F

THIRD ANGLE PROJECTION
 ANSI 14.5M

NOTES:
 1. NOM. WALL @ 0.27
 2. BLACK, WHITE, OR YELLOW COLOR
 3. SHOT WEIGHT 85 LBS.

ACE ROTO-MOLD

A DIVISION OF DEN HARTOG INDUSTRIES, INC.
 4010 HOSPERS DRIVE SOUTH BOX 425, HOSPERS, IOWA 51238

CLIENT / DESCRIPTION

225 GALLON FREE-STANDING TANK

SCALE N.S.

PART NO. FS0225-38

