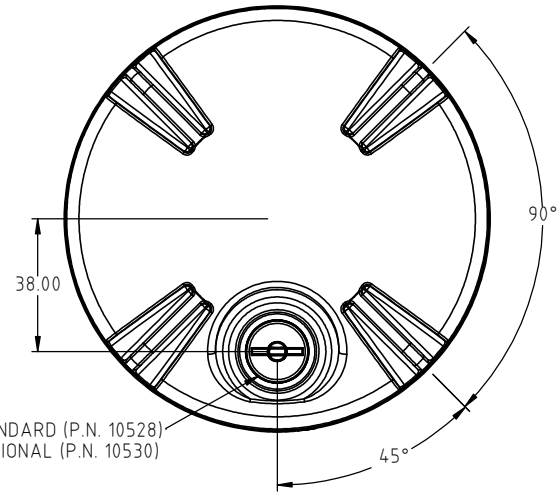
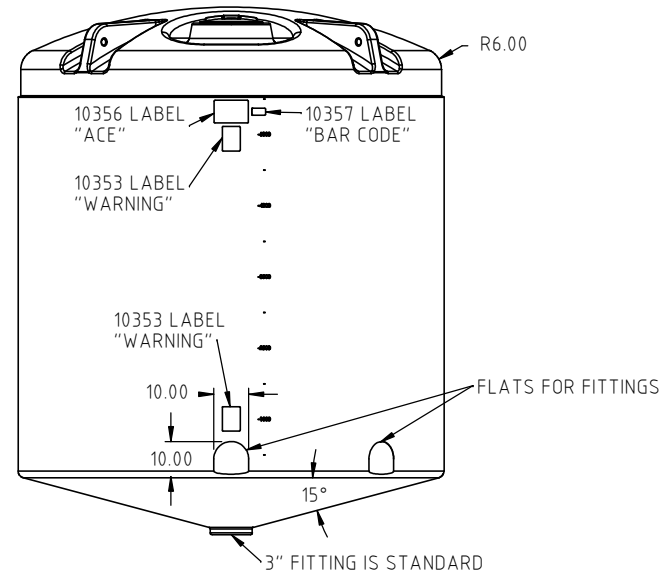
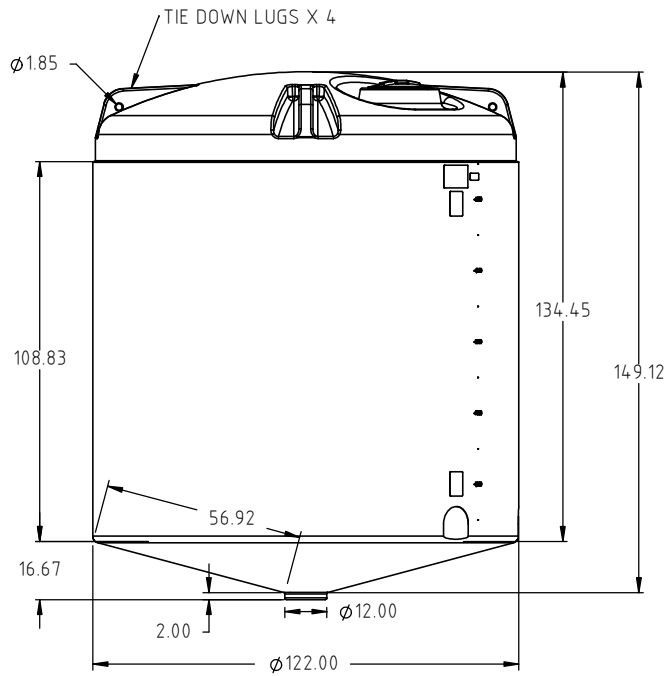


Copyright. All information furnished within this document, electronic file or design correspondence is the property of Den Hartog Industries, Inc. and shall not be used, disclosed to others or copied without the expressed written consent of Den Hartog Industries, Inc.



16" LID ASSEMBLY STANDARD (P.N. 10528)
22" LID ASSEMBLY OPTIONAL (P.N. 10530)



				DRAWN / DATE DHJ 1/26/12	MATERIAL 10538
				APPRO. / DATE REH 2/11/14	
REV	DESCRIPTION	BY / DATE	CCN		
ALL DIMENSIONS ARE IN DECIMAL INCHES TOLERANCES UNLESS OTHERWISE SPECIFIED		THIRD ANGLE PROJECTION ANSI 14.5M		SHOT WEIGHT: 1600 LBS	NOTES: 1.) 0.76 NOM. WALL
POLYETHYLENE		METAL DECIMAL ± .125" FRACTION ± 1/4" ANGLE ± 1°		SHIPPING WEIGHT: 1602 LBS.	
±1% @ 68°F				FINISH:	



Den Hartog
INDUSTRIES, INC.

Ace Roto-Mold Injection Molding Blow Molding Sowjoy

4010 HOSPERS DRIVE S. BOX 425, HOSPERS, IOWA 51238-0425

DESCRIPTION 6000 GALLON 122" x 15 DEG. CONE BOTTOM TANK	
SCALE N.S.	PART NO. CB6000-122