

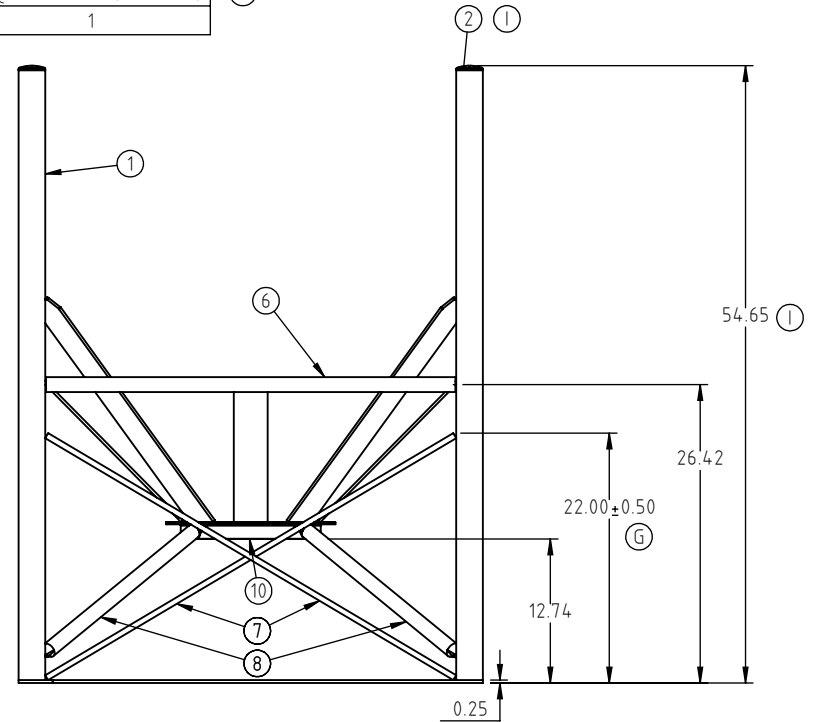
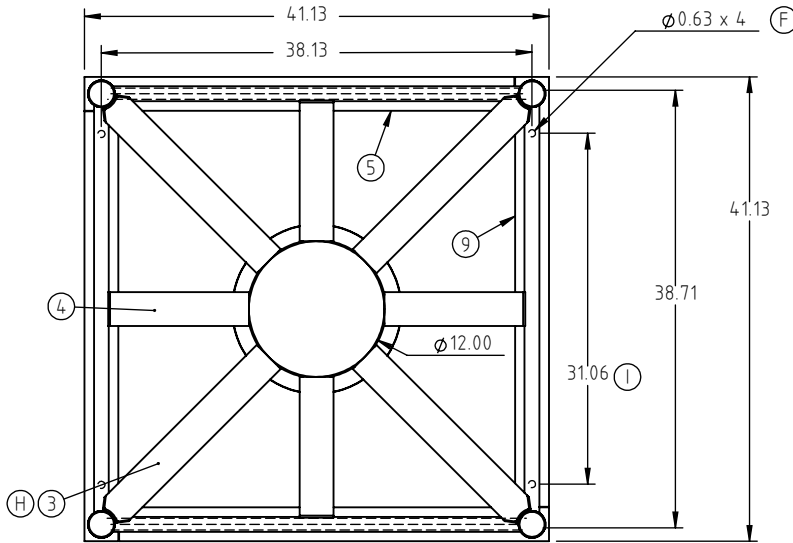
© DEN HARTOG INDUSTRIES, INC.

Copyright. All information furnished within this document, electronic file or design correspondence is the property of Den Hartog Industries, Inc. and shall not be used, disclosed to others or copied without the expressed written consent of Den Hartog Industries, Inc.

KEY	PART NUMBER	MATERIAL	DESCRIPTION	QTY.
1	CB052-45ST-1	P20000	2" SIZE TUBING	4 @ 54 IN (216 IN)
2	12687	62202	2" PIPE PLUG	4
3	CB052-45ST-3	S-2500	SHEET, 1/4" MILD STEEL	4 @ 28 X 3 IN (339 SI)
4	CB052-45ST-4	B02500X30000	1/4 X 3 FLAT BAR	4 @ 17.50 IN (70 SI)
5	CB052-45ST-5	B02500X30000	1/4 X 3 FLAT BAR	2 @ 38.0625 IN (76.125 IN)
6	CB052-45ST-6	P10000	1" SIZE TUBING	4 @ 36.25 IN (145 IN)
7	CB052-45ST-7	R05000	1/2" MILD STEEL ROD	4 @ 42 IN (168 IN)
8	CB052-45ST-8	T1000X01090	1" OD ROUND MILD X .109	4 @ 23 IN (92 IN)
9	CB052-45ST-9	B02500X30000	1/4 X 3 FLAT BAR	2 @ 38.0625 IN (76.125 IN)
10	RAR-12	RAR-12	ROLLED ANGLE, 12" PLAIN	1

CB052-45ST

I



I	12687 WAS CB052-45ST-2, 31.06 WAS 31.13, 54.56 WAS 54.25	ADH 6/18/09	1888
H	SUPPORT STRAP DESIGN MODIFIED	ADH 2/6/09	1797
G	DIMENSION ADDED	ADH 3/27/08	1636
F	HOLES ADDED	ADH 1/16/08	1565
E	TOLERANCE WAS 1% @ 68 F	GWC 3/8/07	
D	ISOLATED STAND CHANGED PN	NVE 5/17/06	
C	CHANG PART NO. TO CB0345-52	10/5/04	
B	ADD FITTING INFORMATION	10/5/04	
A	FINALIZE PART	9/15/04	
REV	DESCRIPTION	BY / DATE	CCN

DRAWN / DATE	MATERIAL
ADH 6/18/07	
APPRD. / DATE	
REH 7/12/07	



Den Hartog
INDUSTRIES, INC.

Ace Roto-Mold Injection Molding Blow Molding Sowjoy

4010 HOSPERS DRIVE S. BOX 425, HOSPERS, IOWA 51238-0421

DESCRIPTION 52" DIA STAND FOR 345 OR 500 GAL CONE BOTTOM TANKS

SCALE N.S.

PART NO. CB052-45ST

ALL DIMENSIONS ARE IN DECIMAL INCHES
TOLERANCES UNLESS OTHERWISE SPECIFIED

THIRD ANGLE PROJECTION
ANSI 14.5M

SHOT WEIGHT:

NOTES:

SHIPPING WEIGHT:

FINISH:

POLYETHYLENE
±1% @ 68°F

METAL
DECIMAL ± .125"
FRACTION ± 1/4"
ANGLE ± 1°

