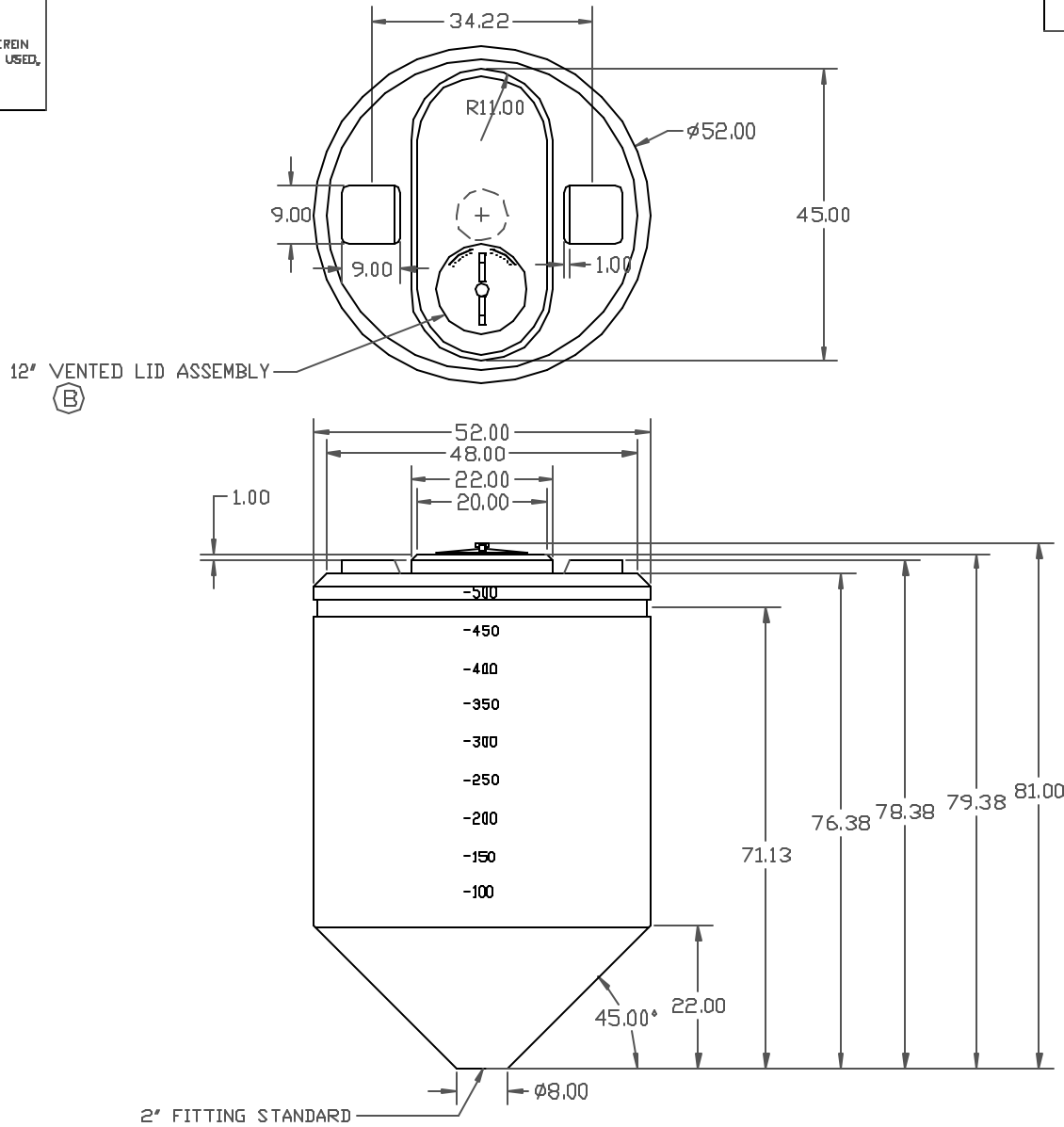


PROPRIETARY DATA

PROPERTY OF DEN HARTOG INDUSTRIES, INC. INFORMATION FURNISHED HEREIN IS THE PROPERTY OF DEN HARTOG INDUSTRIES, INC. AND SHALL NOT BE USED, DISCLOSED TO OTHERS, OR COPIED WITHOUT THE EXPRESSED WRITTEN CONSENT OF DEN HARTOG INDUSTRIES, INC. ALL RIGHTS RESERVED.

CB0500-52

B



				DRAWN / DATE REH 08/08/01	MATERIAL
B	16 INCH LID WAS SHOWN	4/17/07	DHJ		HDPE OR EQUIVALENT REFERENCE MATERIAL DATA SHEET FOR SPECIFIC PROPERTIES.
A	REMOVED STAND FROM PRINT	5/17/06	NVE	APPRD. / DATE GWC 4/18/07	
REV	DESCRIPTION	DATE	APPRD		
ALL DIMENSIONS ARE IN DECIMAL INCHES TOLERANCES UNLESS OTHERWISE SPECIFIED ± 1% @ 68° F				THIRD ANGLE PROJECTION ANSI 14.5M	NOTES: 1. NOM. WALL @ .280 2. SHOT WEIGHT 130 LBS.

**ACE ROTO-MOLD**  
A DIVISION OF DEN HARTOG INDUSTRIES, INC.  
4010 HWY. 60 BLVD, BOX 425, HOSPERS, IOWA 51238

CLIENT / DESCRIPTION  
500 GALLON CONE BOTTOM TANK,  $\phi 52''$

SCALE: N.S. PART NO.: CB0500-52