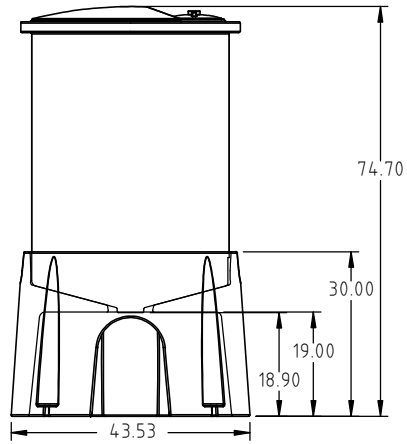
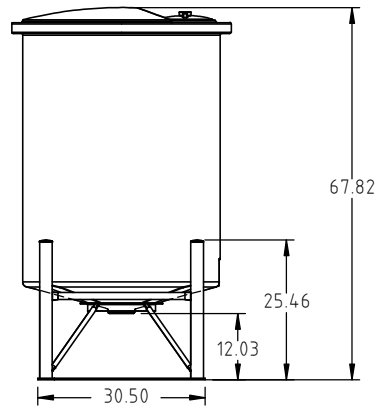


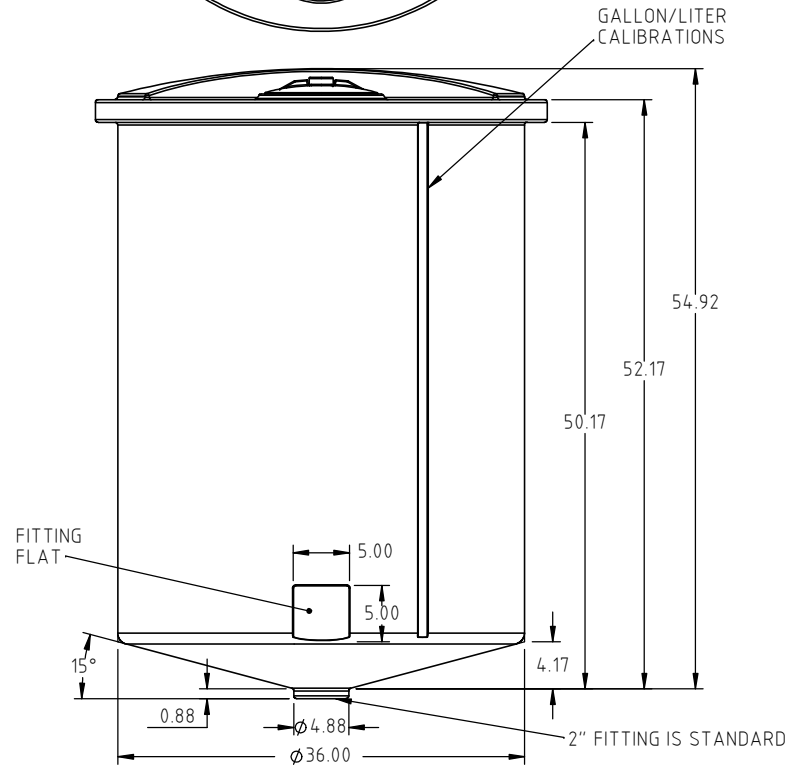
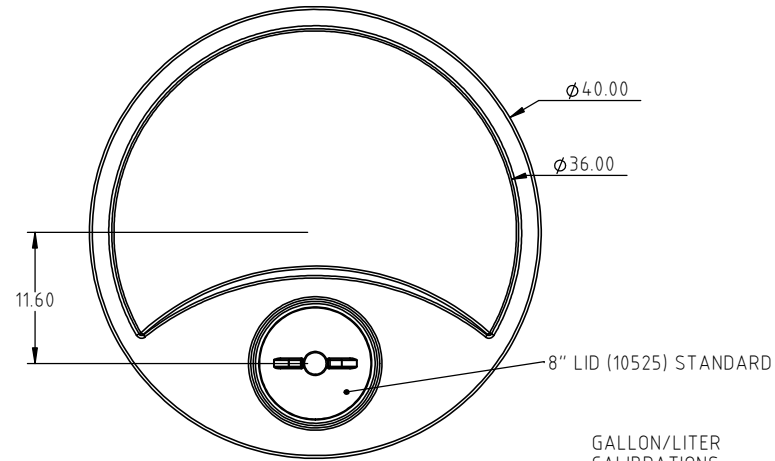
Copyright. All information furnished within this document, electronic file or design correspondence is the property of Den Hartog Industries, Inc. and shall not be used, disclosed to others or copied without the expressed written consent of Den Hartog Industries, Inc.



OC036-STP POLY STAND



CB036-15ST METAL STAND



REV	DESCRIPTION	BY / DATE	CCN	DRAWN / DATE ADH 7/12/10	MATERIAL 10420
				APPROD. / DATE REH 4/18/11	
	ALL DIMENSIONS ARE IN DECIMAL INCHES TOLERANCES UNLESS OTHERWISE SPECIFIED	THIRD ANGLE PROJECTION ANSI 14.5M	SHOT WEIGHT: 56.00 LBS	NOTES: 1.) 0.20 WALL THICKNESS	
	POLYETHYLENE ±1% @ 68°F		SHIPPING WEIGHT: 58.00 LBS		
	METAL DECIMAL ± .125" FRACTION ± 1/4" ANGLE ± 1°		FINISH:		



Den Hartog
INDUSTRIES, INC.

Acra Roto-Mold Injection Molding Blow Molding Sowjoy

4010 HOSPERS DRIVE S. BOX 425, HOSPERS, IOWA 51238-0425

DESCRIPTION	36" DIA. X 200 GALLON CONE BOTTOM	
SCALE	N.S.	PART NO. CB0200-36