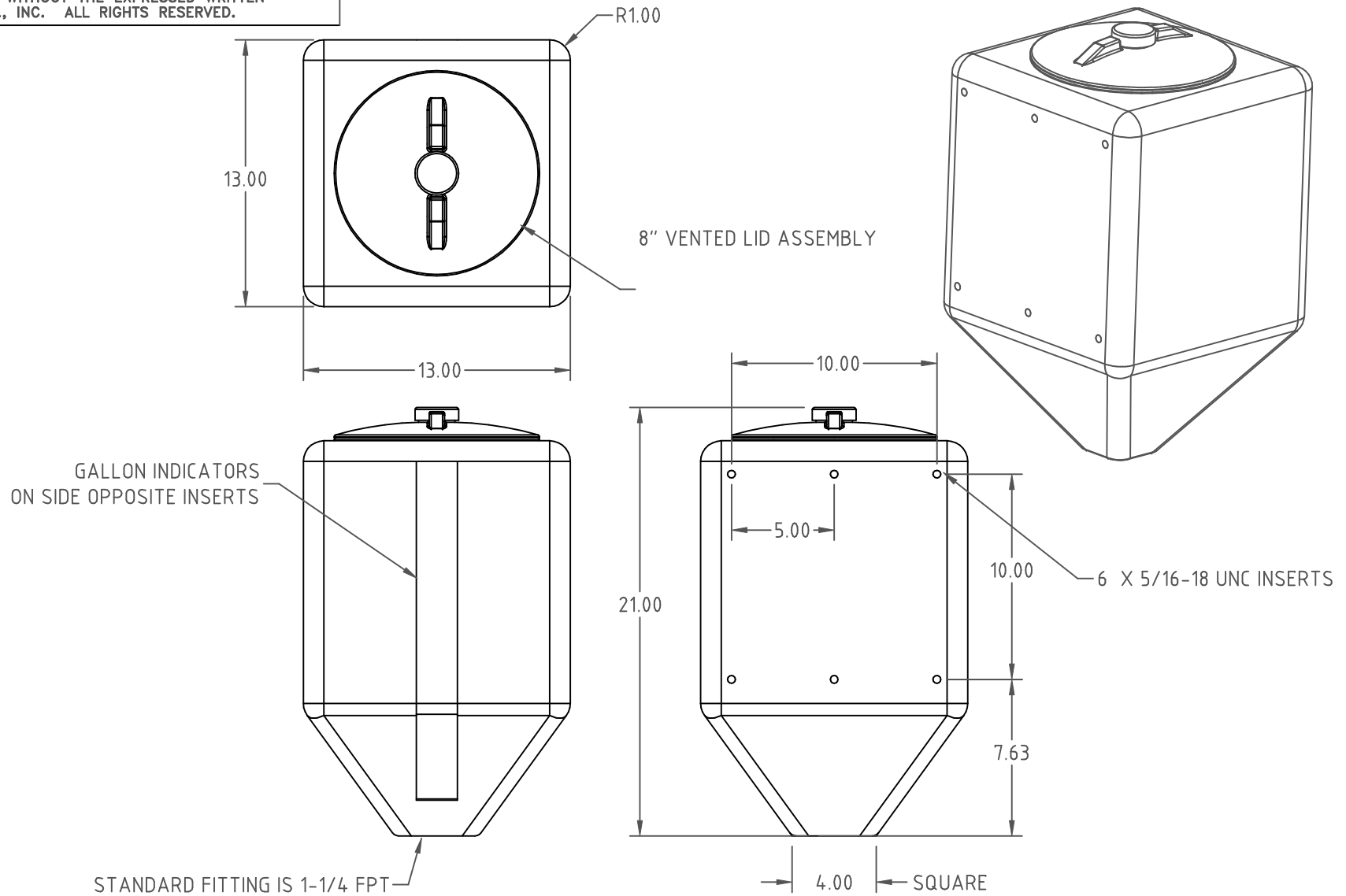


PROPRIETARY DATA

SP0010-SQ8

A

PROPERTY OF ACE ROTO-MOLD MFG., INC. INFORMATION FURNISHED HEREIN IS THE PROPERTY OF ACE ROTO-MOLD MFG., INC. AND SHALL NOT BE USED, DISCLOSED TO OTHERS, OR COPIED WITHOUT THE EXPRESSED WRITTEN CONSENT OF ACE ROTO-MOLD MFG., INC. ALL RIGHTS RESERVED.



STANDARD FITTING IS 1-1/4 FPT

		DRAWN / DATE REH/4/24/02		MATERIAL / SHOT WEIGHT				
				M111	M134	U625	P938	
A	CHANGE INSERTS TO 5/16	2/24/05	APPRD. / DATE					
REV	DESCRIPTION	DATE	APPRD.	REH/4/24/02				
ALL DIMENSIONS ARE IN DECIMAL INCHES TOLERANCES UNLESS OTHERWISE SPECIFIED ± .5% @ 68° F			THIRD ANGLE PROJECTION ANSI 14.5M		NOTES: 1. .220 NOMINAL WALL			

ACE ROTO-MOLD
A DIVISION OF DEN HARTOG INDUSTRIES, INC.
4018 HWY. 60 BLVD., BOX 421, HOSPERS, IOWA 51238

CLIENT / DESCRIPTION	
10 GALLON RINSE TANK	
SCALE	PART NO.
N.S.	SP0010-SQ8