

PROPRIETARY DATA

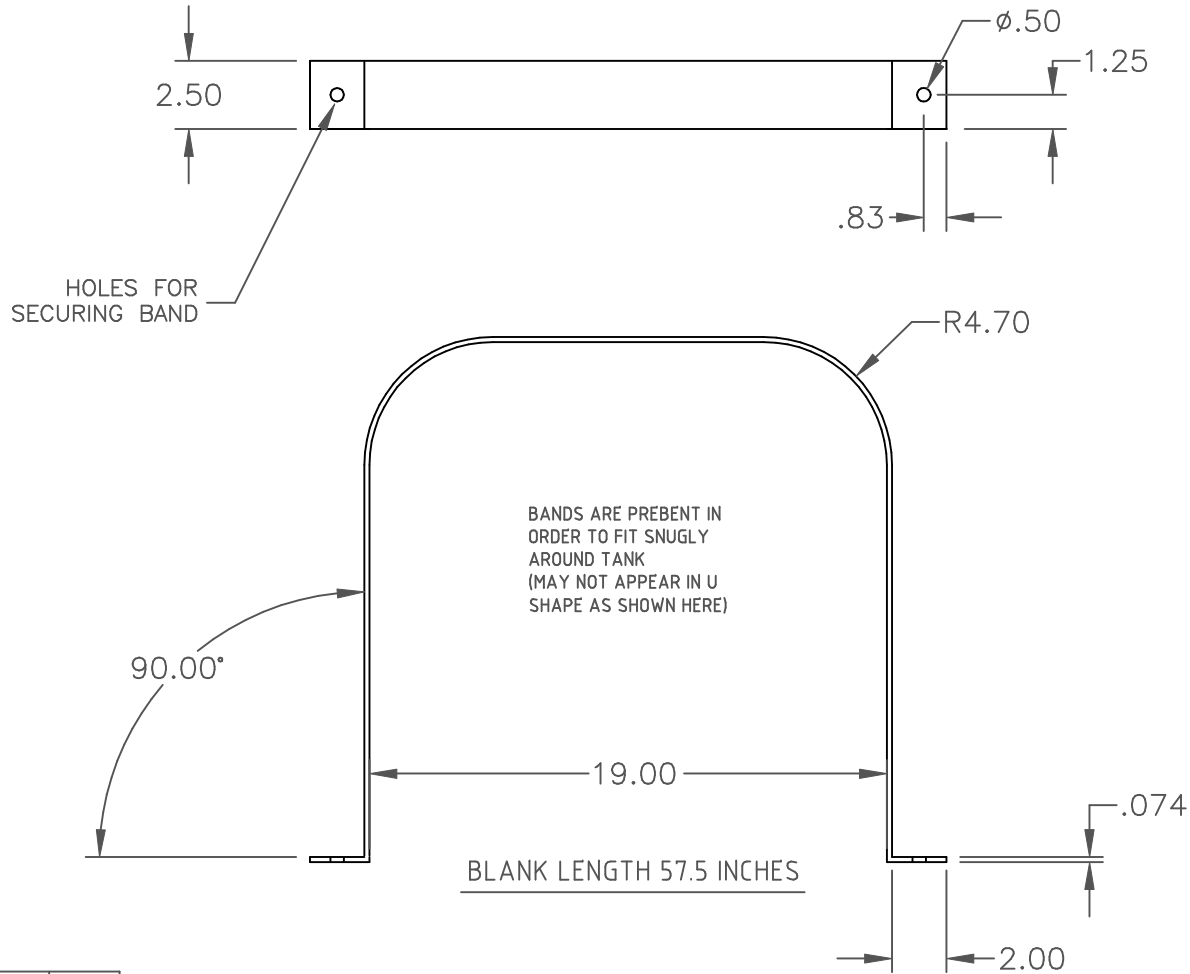
PROPERTY OF ACE ROTO-MOLD MFG., INC. INFORMATION FURNISHED HEREIN IS THE PROPERTY OF ACE ROTO-MOLD MFG., INC. AND SHALL NOT BE USED, DISCLOSED TO OTHERS, OR COPIED WITHOUT THE EXPRESSED WRITTEN CONSENT OF ACE ROTO-MOLD MFG., INC. ALL RIGHTS RESERVED.

PC0050-SBPS

B

PC0050-SBP 2 PER SET

ⓑ



ⓑ

B	REMOVE SINGLE BAND TEXT BOX	3/13/07	GWC
B	ADD TEXT BOX/ADD S TO PART #	3/13/07	GWC
A	ADD SINGLE BAND PART NUMBER	3/13/07	GWC
A	PART NO. WAS PC0050-SBPS	3/13/07	GWC
A	TOLERANCE WAS 1% @ 68° F	3/13/07	GWC
REV	DESCRIPTION	DATE	APPRD

DRAWN / DATE	MATERIAL
DHJ 3/7/06	14 GA. MILD STEEL
APPRD. / DATE	
REH 3/15/06	

CLIENT / DESCRIPTION
POWDER COATED STEEL BAND FOR 50 GALLON PCO TANKS

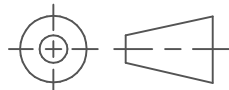
SCALE	N.S.
-------	------

PART NO.	PC0050-SBPS
----------	-------------

ALL DIMENSIONS ARE IN DECIMAL INCHES  
TOLERANCES UNLESS OTHERWISE SPECIFIED

DECIMAL +/- .064"  
FRACTION +/- 1/8"  
ANGLE +/- 1°

THIRD ANGLE PROJECTION  
ANSI 14.5M



NOTES:  
1. POWDER COAT SILVER COLOR  
2. WEIGHT PER BAND = 3 LB.