

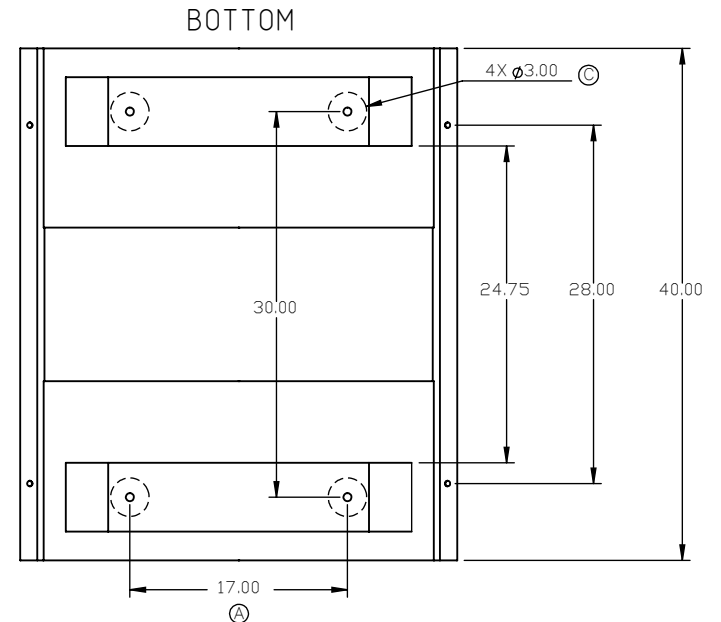
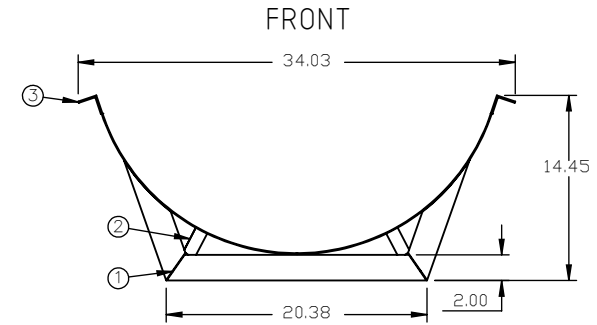
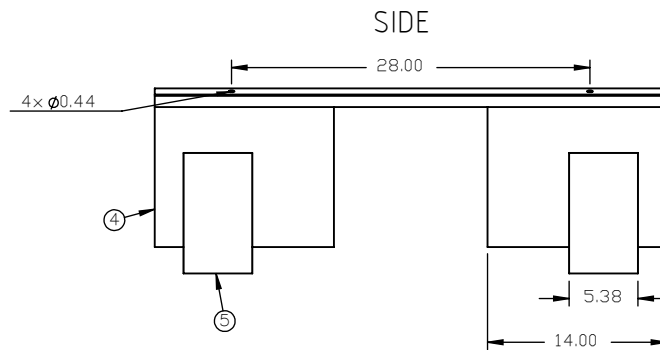
PROPRIETARY DATA

PROPERTY OF DEN HARTOG MFG, INC. INFORMATION FURNISHED HEREIN IS THE PROPERTY OF ACE ROTO-MOLD MFG, INC. AND SHALL NOT BE USED, DISCLOSED TO OTHERS, OR COPIED WITHOUT THE EXPRESSED WRITTEN CONSENT OF ACE ROTO-MOLD MFG, INC. ALL RIGHTS RESERVED.

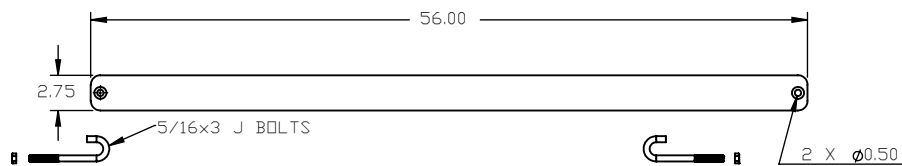
KEY	PART NUMBER	MATERIAL	DESCRIPTION	QTY.
1	HZ0150-C-1	S-14GA	SHEET, 14GA	4 @ 1" X 1.75" (7 IN)
2	HZ0150-C-2	S-14GA	SHEET, 14GA	4 @ 1" X 3.5" (14 IN)
3	SJHZ0150C-1	A01250X15000	ANGLE, 0.25" X 1.5"	2 @ 40" (80 IN)
4	SJHZ0150C-3	S-14GA	SHEET, 14GA	2 @ 14" X 40" (1120 SI)
5	SJHZ0150C-6	S-14GA	SHEET, 14GA	2 @ 9.25" X 40" (740 SI)

HZ0150-C

C



POWDER COATED STEEL BANDS TWO REQUIRED WITH J BOLTS



REV	DESCRIPTION	BY / DATE	CCN	DRAWN / DATE	MATERIAL
C	3" PAN ACCESS HOLES ADDED	ADH 4/22/09	1858	ADH 8/9/07	
B	TOLERANCE WAS 1% @ 68° F	GWC 3/14/07		APPRD. / DATE	
A	CHANGE DIM. HOLE PAT	1/3/06		REH 11/26/07	



Den Hartog
INDUSTRIES, INC.

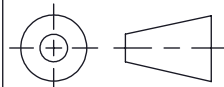
Ace Roto-Mold Injection Molding Blow Molding Sowjoy

4010 HOSPERS DRIVE S. BOX 425, HOSPERS, IOWA 51238-0421

ALL DIMENSIONS ARE IN DECIMAL INCHES
TOLERANCES UNLESS OTHERWISE SPECIFIED

DECIMAL ± .125"
FRACTION ± 1/4"
ANGLE ± 1°

THIRD ANGLE PROJECTION
ANSI 14.5M



NOTES:

DESCRIPTION CRADLE FOR 150 GALLON HORIZONTAL TANK

SCALE N.S.

PART NO. HZ0150-C