

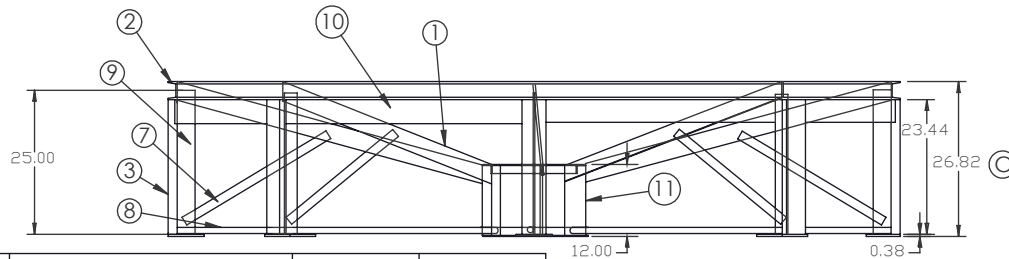
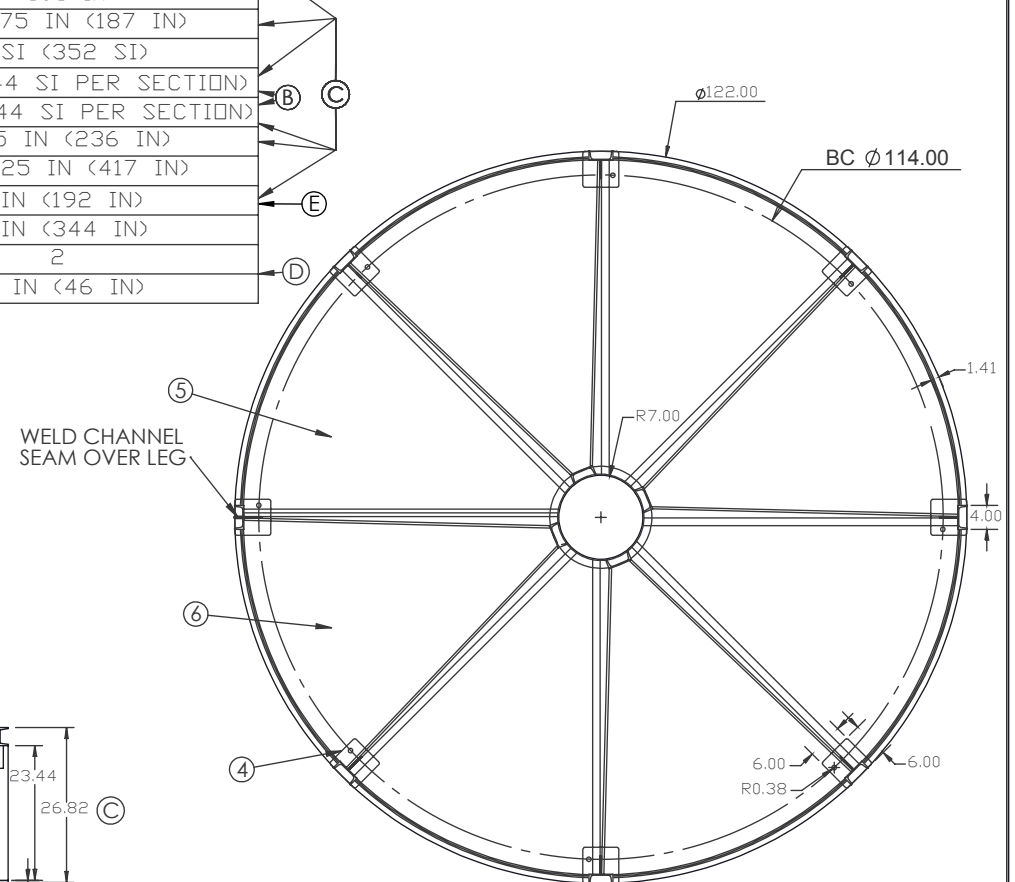
PROPRIETARY DATA

CB122-15ST

E

PROPERTY OF ACE ROTO-MOLD MFG., INC. INFORMATION FURNISHED HEREIN IS THE PROPERTY OF ACE ROTO-MOLD MFG., INC. AND SHALL NOT BE USED, DISCLOSED TO OTHERS, OR COPIED WITHOUT THE EXPRESSED WRITTEN CONSENT OF ACE ROTO-MOLD MFG., INC. ALL RIGHTS RESERVED.

| KEY | PART NUMBER | MATERIAL | DESCRIPTION | QTY. |
|-----|---------------|--------------|---------------------------|----------------------------|
| 1 | CB122-15ST-1 | B03750X30000 | 3/8" X 3" MILD STEEL FLAT | 8 @ 52.625 IN (421 IN) |
| 2 | CB122-15ST-2 | C03X4.1 | 3" MILD STEEL CHANNEL | 396 IN |
| 3 | CB122-15ST-3 | C04X5.4 | 4" MILD STEEL CHANNEL | 8 @ 23.375 IN (187 IN) |
| 4 | 12467 | 12467 | 6 X 6 X 3/8 LEG PAD | 8 @ 44 SI (352 SI) |
| 5 | 12474 | S-12GA | PAN, CB122-15ST W/HOLES | 1 (3988.44 SI PER SECTION) |
| 6 | 12475 | S-12GA | PAN,CB122-15ST | 2 (3988.44 SI PER SECTION) |
| 7 | CB122-15ST-9 | A02500X20000 | 1/4" X 2" STEEL ANGLE | 8 @ 29.5 IN (236 IN) |
| 8 | CB122-15ST-10 | P10000 | 1" SIZE PIPE | 8 @ 52.125 IN (417 IN) |
| 9 | CB122-15ST-11 | B02500X30000 | 1/4" X 3" MILD STEEL FLAT | 8 @ 24 IN (192 IN) |
| 10 | CB122-15ST-12 | B02500X40000 | 1/4" X 4" MILD STEEL FLAT | 8 @ 43 IN (344 IN) |
| 11 | 12518 | RAR-14 | 14" CONE BOTTOM RING | 2 |
| | | 12519 | 4" MILD STEEL CHANNEL | 4 @ 11.5 IN (46 IN) |



| | | | |
|-----|---------------------------------|-------------|------|
| E | 24" WAS 25" | ADH 1/22/09 | 1789 |
| D | 12518 WAS RAR-14 & CB122-15ST-6 | ADH 12/7/07 | 1542 |
| C | ADD ONE INCH TO OUTSIDE HEIGHT | DHJ 9/26/07 | 1466 |
| B | PAN BOM INFORMATION UPDATED | ADH 8/30/07 | 1444 |
| A | INCREASED DIAMETER | DHJ 5/31/07 | |
| REV | DESCRIPTION | BY / DATE | CCN |

| APPROVED / DATE | MATERIAL |
|-----------------|----------|
| ADH 7/6/07 | |
| APPRD. / DATE | |
| REH 7/18/07 | |

Den Hartog

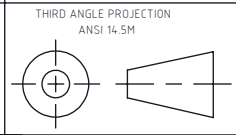
INDUSTRIES, INC.

Ace Roto-Mold Injection Molding Blow Molding Sowjoy

4010 HOSPERS DRIVE S. BOX 425, HOSPERS, IOWA 51238-0421

ALL DIMENSIONS ARE IN DECIMAL INCHES TOLERANCES UNLESS OTHERWISE SPECIFIED

DECIMAL ± .125"
FRACTION ± 1/4"
ANGLE ± 1°



NOTES:

| | | |
|-------------|---|---------------------|
| DESCRIPTION | CONE BOTTOM STAND FOR ϕ 122" 15° TANKS | |
| SCALE | N.S. | PART NO. CB122-15ST |