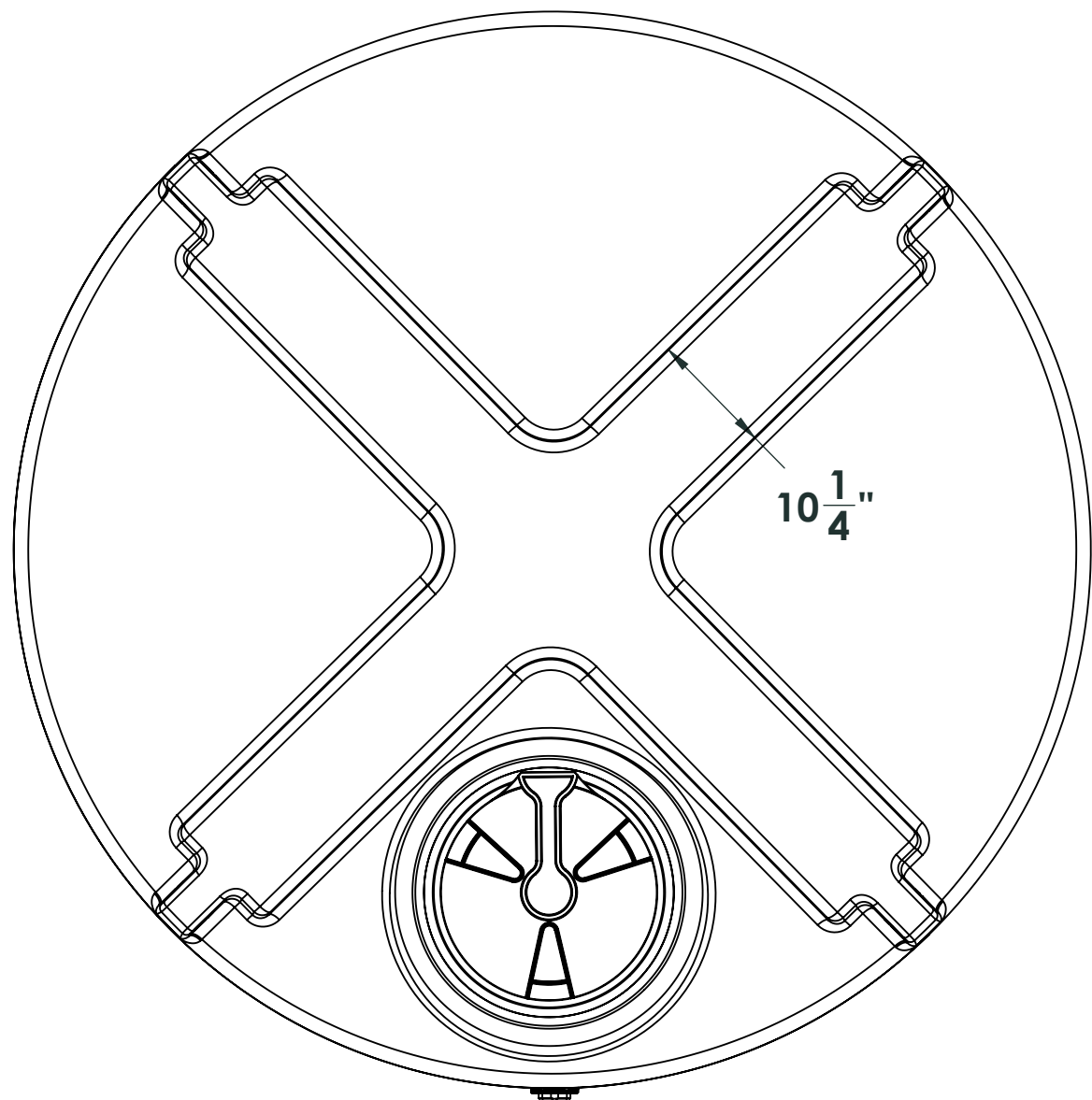


4

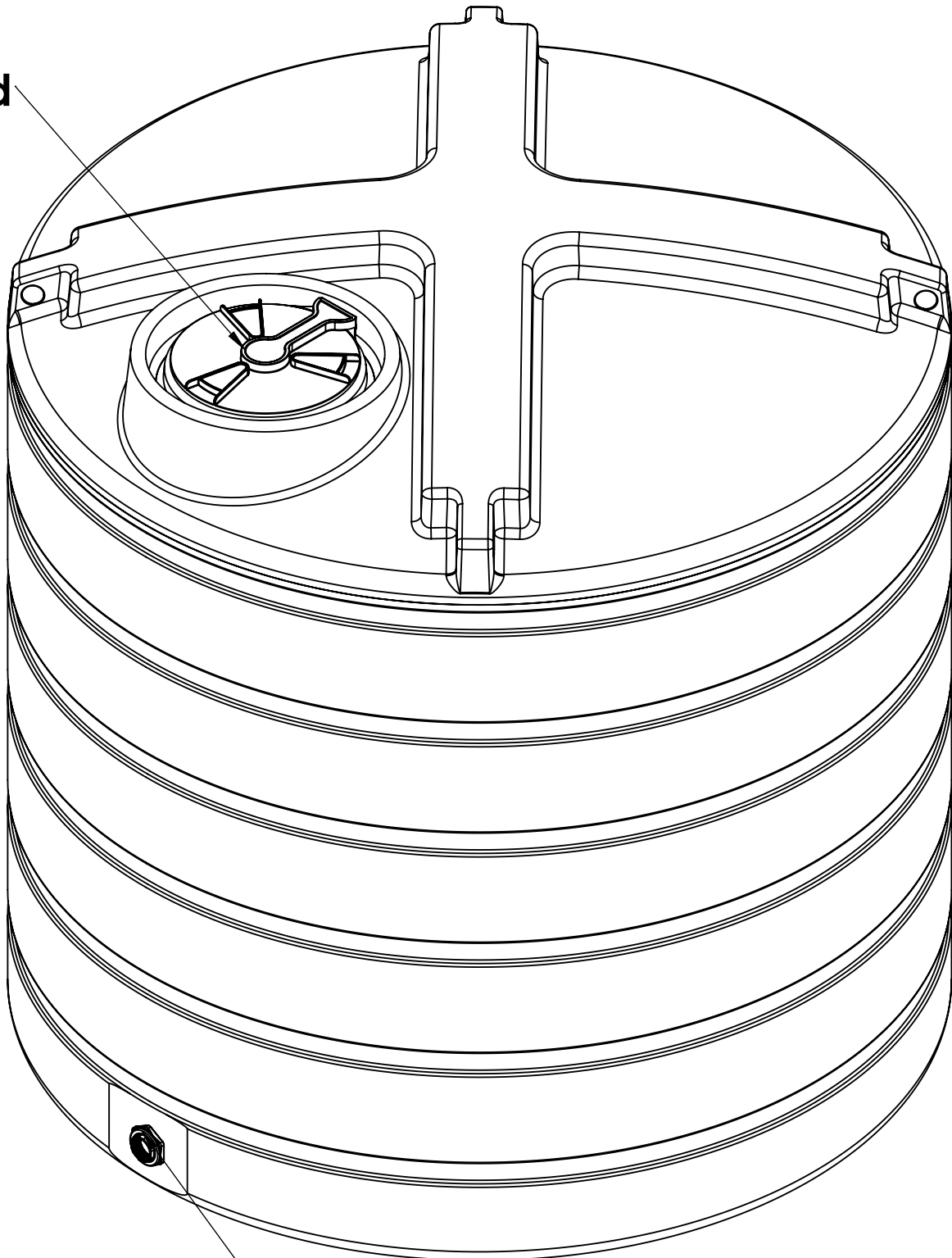
3

2

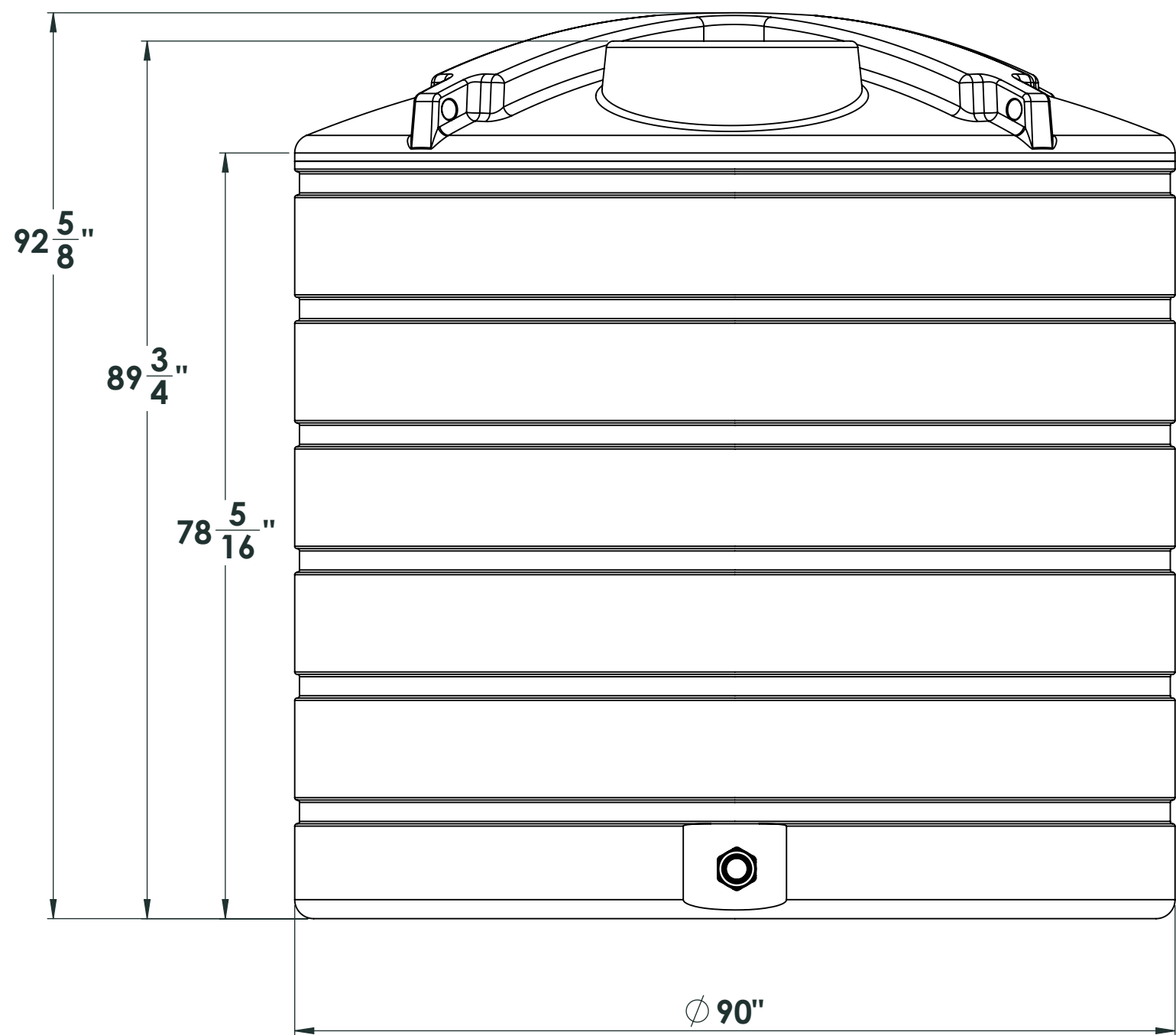
1



16 inch lid



2 inch threaded fitting



NOTE: Allow +/- 1.5% Shrinkage

PROPRIETARY AND CONFIDENTIAL
 THE INFORMATION CONTAINED IN THIS DRAWING IS THE SOLE PROPERTY OF ENDURAPLAS LLC. ANY REPRODUCTION IN PART OR AS A WHOLE WITHOUT THE WRITTEN PERMISSION OF ENDURAPLAS LLC IS PROHIBITED.

		UNLESS OTHERWISE SPECIFIED:		NAME	DATE	ENDURAPLAS LLC	
		DIMENSIONS ARE IN INCHES		DRAWN	DNS	10/31/16	TITLE:
		TOLERANCES:		CHECKED			THV02000
		FRACTIONAL ±		ENG APPR.			SIZE DWG. NO.
		ANGULAR: MACH ± BEND ±		MFG APPR.			REV
		TWO PLACE DECIMAL ±		Q.A.			1
		THREE PLACE DECIMAL ±		COMMENTS:			SCALE: 1:50 WEIGHT: SHEET 1 OF 1
INTERPRET GEOMETRIC TOLERANCING PER:	MATERIAL	FINISH	DO NOT SCALE DRAWING				
APPLICATION	NEXT ASSY	USED ON					

4

3

2

1