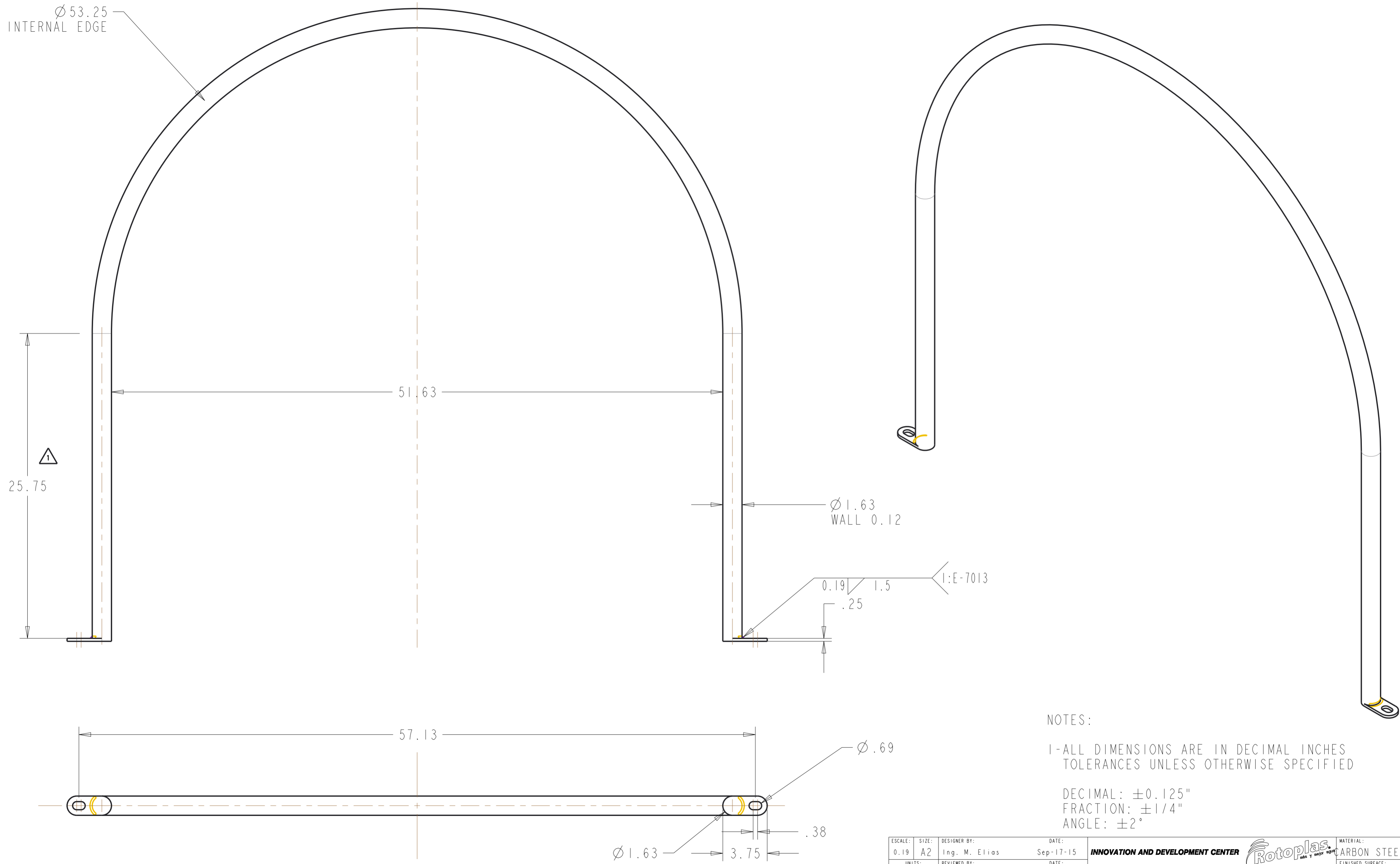



REV.	CHANGE DESCRIPTION	DATE	NAME	APPROVED



NOTES:  
 1-ALL DIMENSIONS ARE IN DECIMAL INCHES  
 TOLERANCES UNLESS OTHERWISE SPECIFIED  
 DECIMAL:  $\pm 0.125''$   
 FRACTION:  $\pm 1/4''$   
 ANGLE:  $\pm 2^\circ$

SCALE: 0.19	SIZE: A2	DESIGNER BY: Ing. M. Elias	DATE: Sep-17-15	<b>INNOVATION AND DEVELOPMENT CENTER</b> 	MATERIAL: CARBON STEEL A-36
UNITS: INCH	PROJECTION: FIRST ANGLE	REVIEWED BY: Ing. F. Guadarrama	DATE:		PROJECT: HORIZONTAL LEG TANKS USA
		APPROVED BY: Ing. Joel Pérez	DATE:		REFERENCE DRAWING:
		RELEASED BY:	DATE:	DESCRIPTION: HOOP FOR 730 GALLON LEG TANK	CODE: R-E-1140
					REV: 1