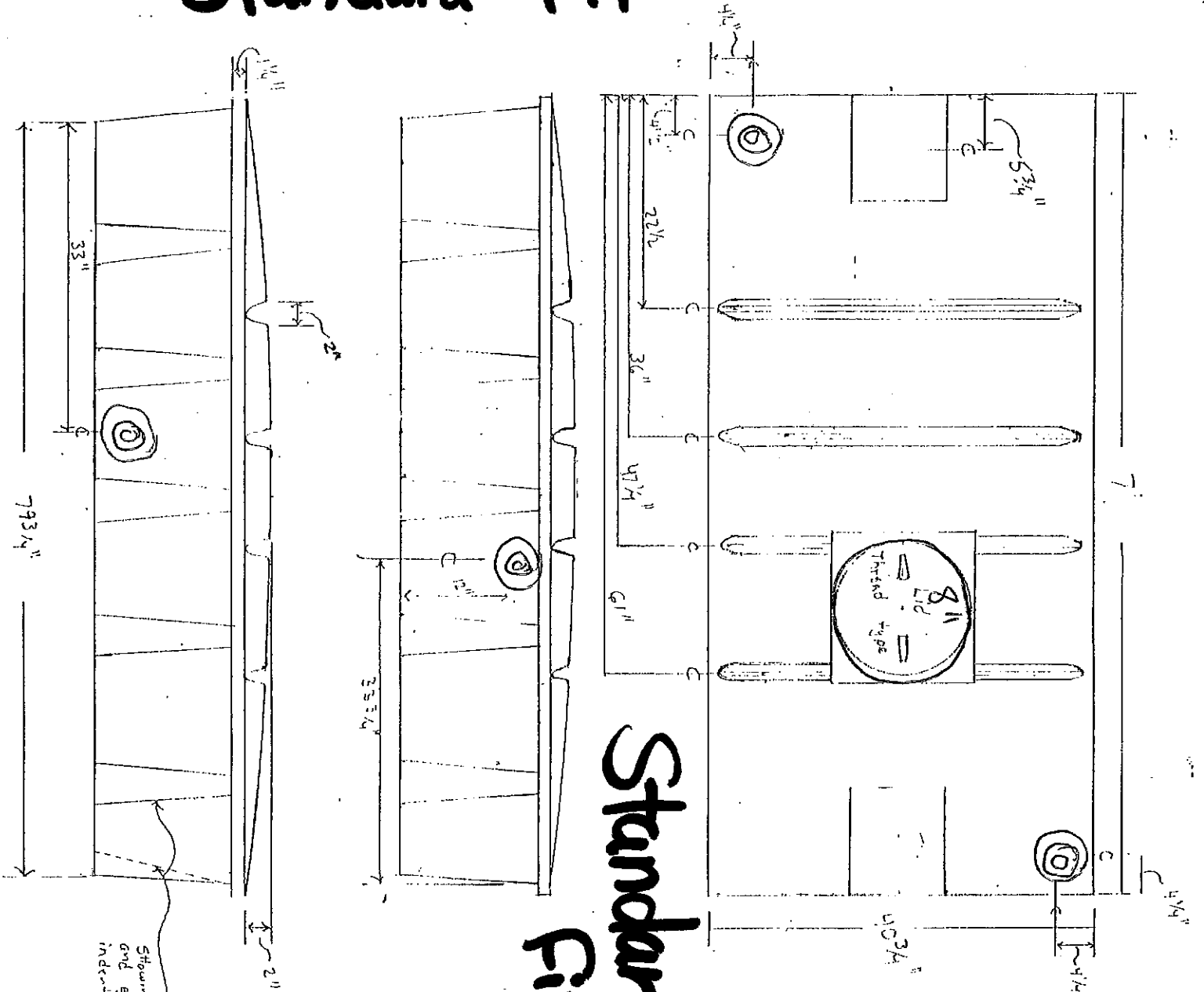
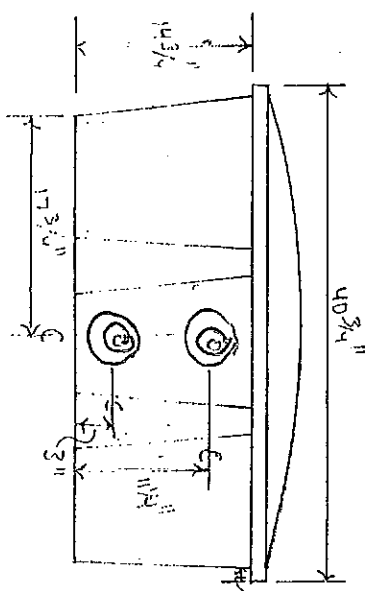


Standard Fit



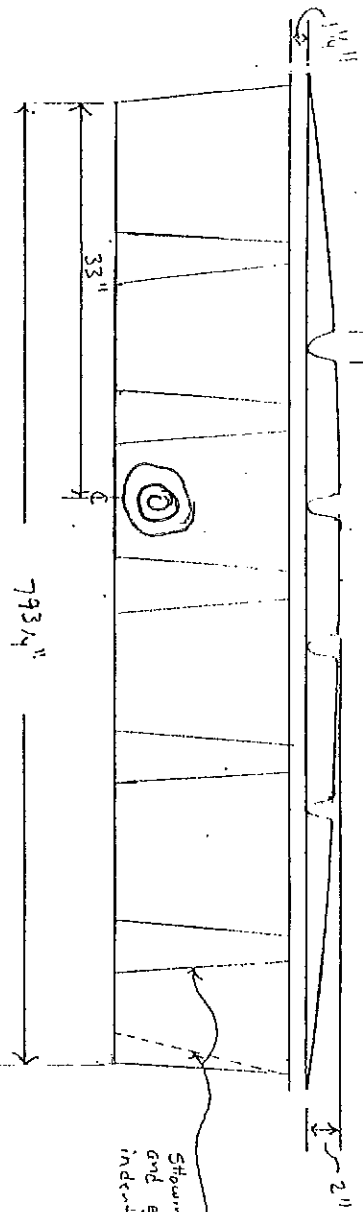
Standard Fit



Dimensions: 84" L X 17" H X 40" W
 Weight: 80 lbs.
 Fittings: 7 - 3" spin-ons with plugs
 2 - 4" C.I.T. nipples
 1 - 8 1/4" inspection port

MODEL 250

Type:	250 TWR
For:	Quadel Ind. Inc.
Drawing by:	Eric Lockman-19-90
Scale:	3/4" = 1'



NOTE
 Showings that the side and end ribs are indicated.

