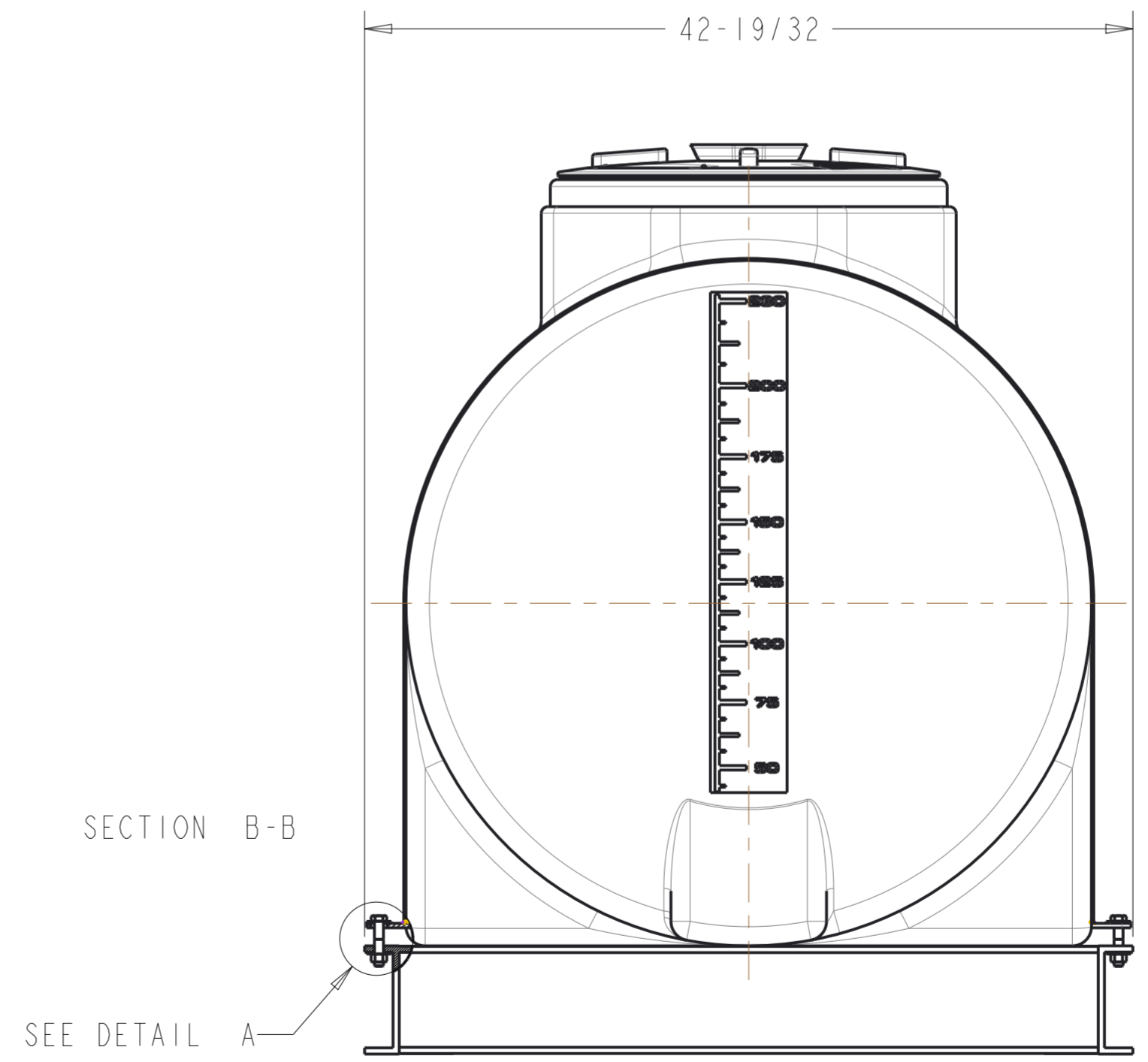
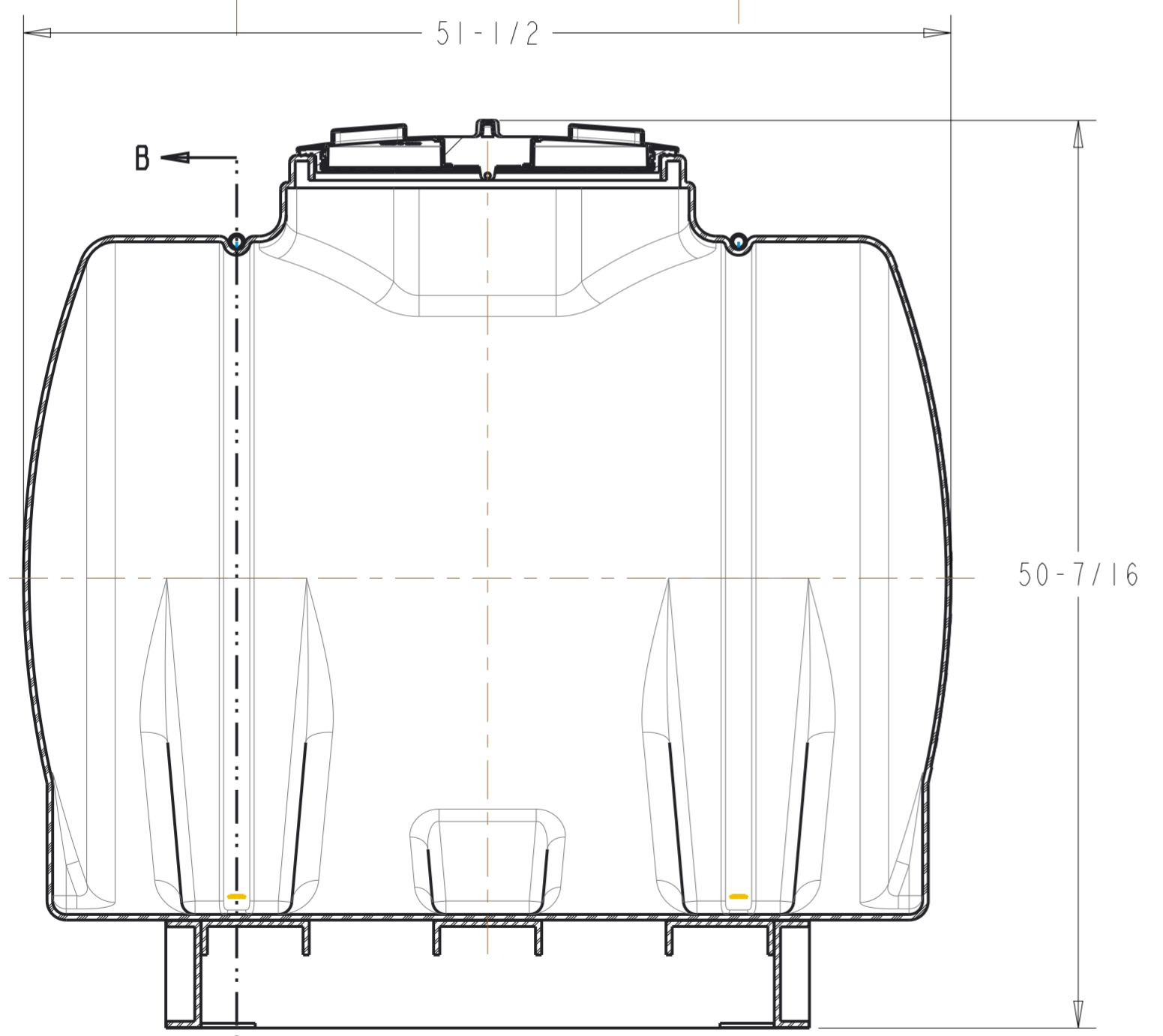
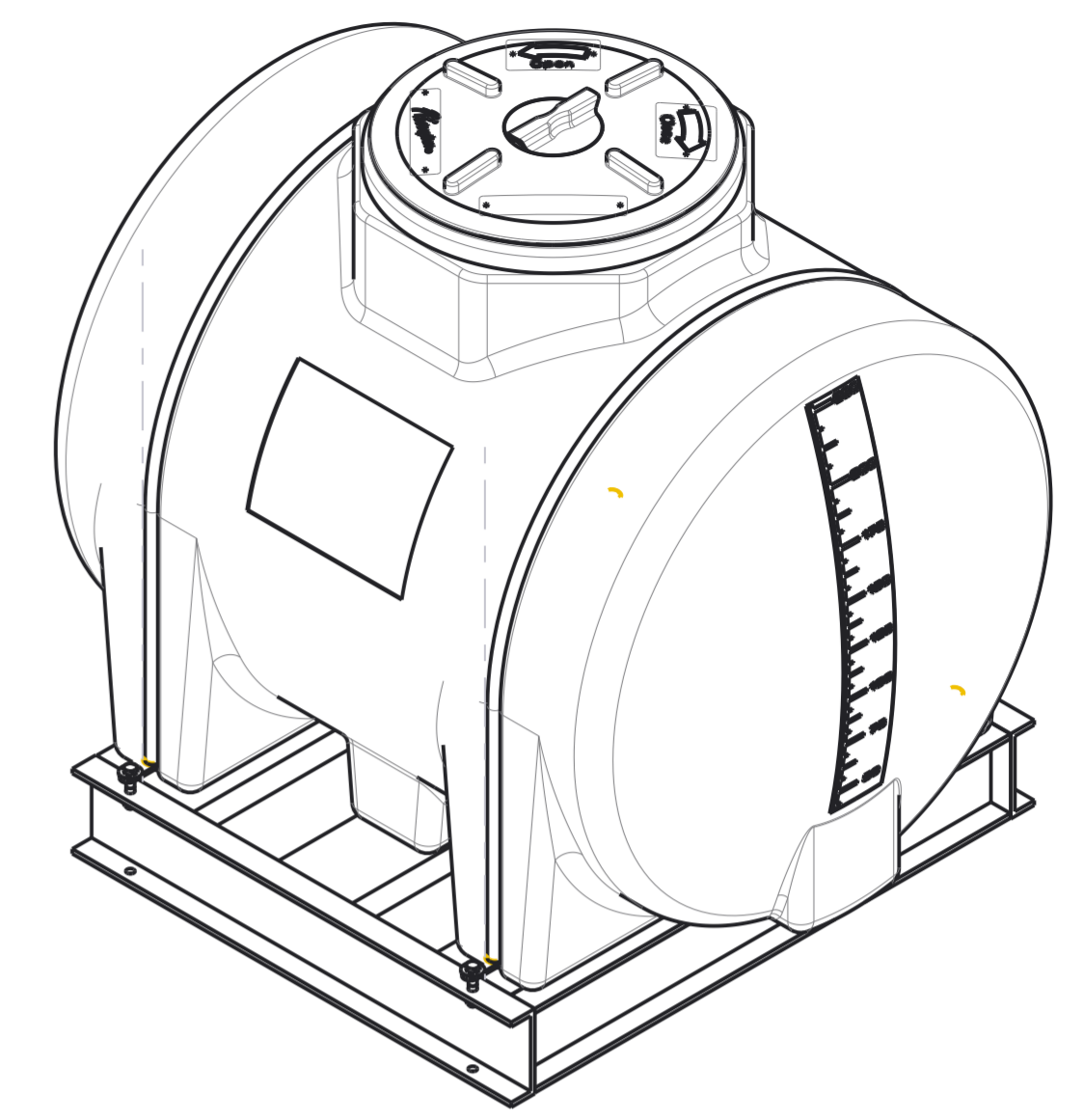
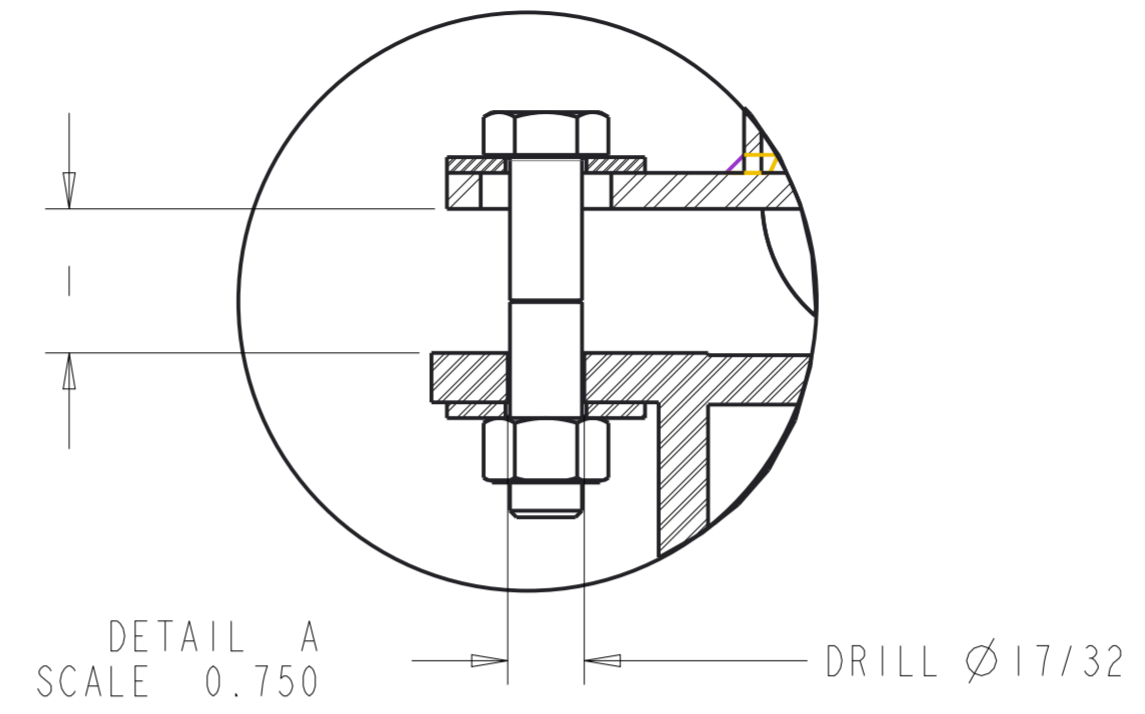
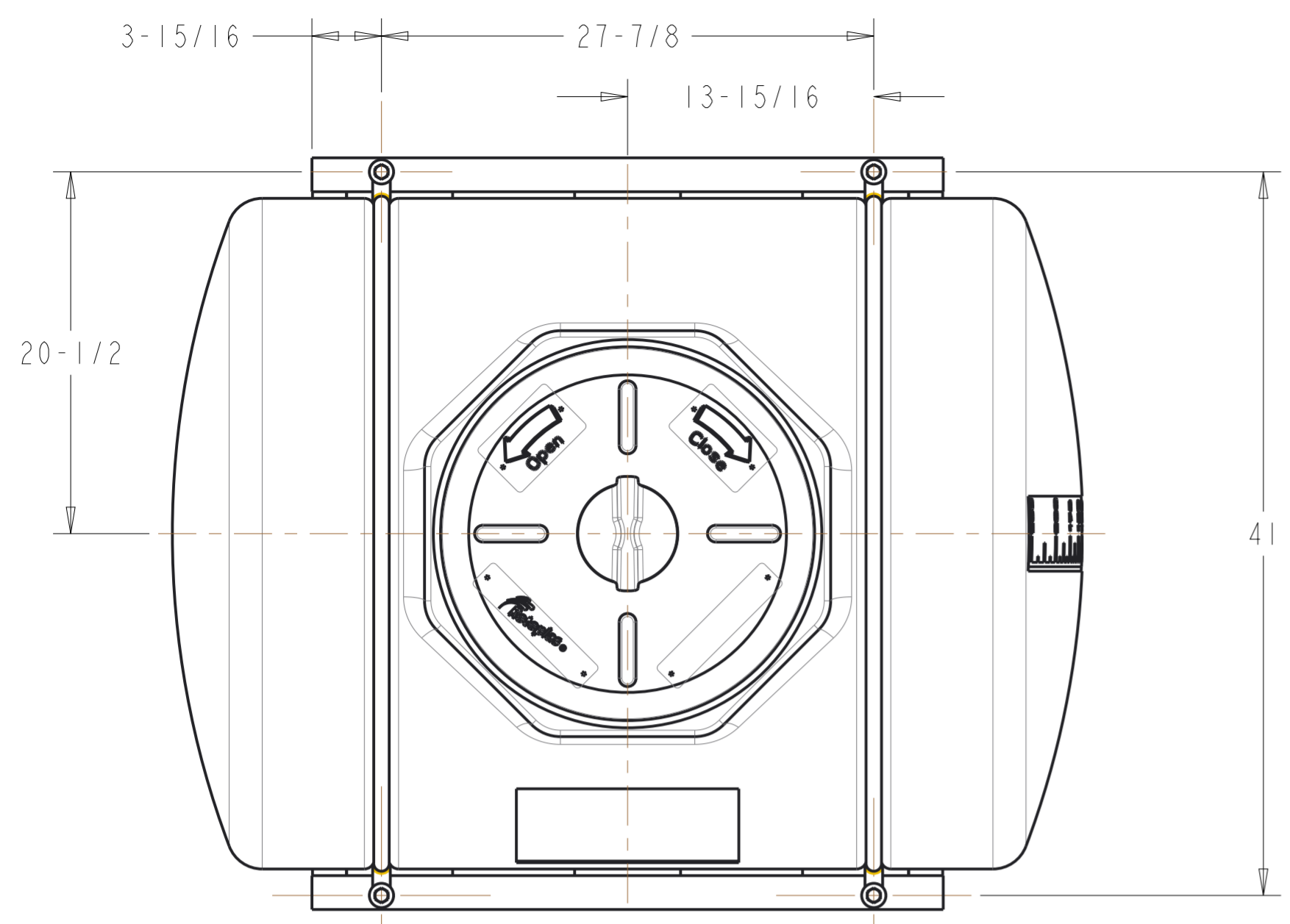


REV.	CHANGE DESCRIPTION	DATE	NAME	APPROVED



SECCIÓN A-A

SECTION B-B

No.	CANT	CODIGO	DESCRIPCION	MATERIAL	OBSERVACIONES
4	1	R-E-1249	STEEL SKID FOR 230 GAL LEG TANK	CARBON STEEL A-36	
3	2	R-E-1143	HOOP FOR 230 GALLON LEG TANK	CARBON STEEL A-36	
2	1	R-D-174	HORIZONTAL LEG TANK 230 GAL	HDPE	---
1	1	A-B-200	END CAP 450 WITH VENT	INDICATED	

SCALE: 0.13	SIZE: A2	DESIGNER BY: Ing. M. Elias	DATE: Jan-14-16
UNITS: INCHES	REVIEWED BY: Ing. F. Guadarrama	DATE:	
PROJECTION:	APPROVED BY: Ing. Joel Pérez	DATE:	
	RELEASED BY:	DATE:	

INNOVATION AND DEVELOPMENT CENTER		MATERIAL:
PROJECT: HORIZONTAL LEG TANKS USA		FINISHED SURFACE:
DESCRIPTION: 230 GALLONS HORIZONTAL LEG TANK		REFERENCE DRAWING:
CODE: R-B-645	REV: 0	