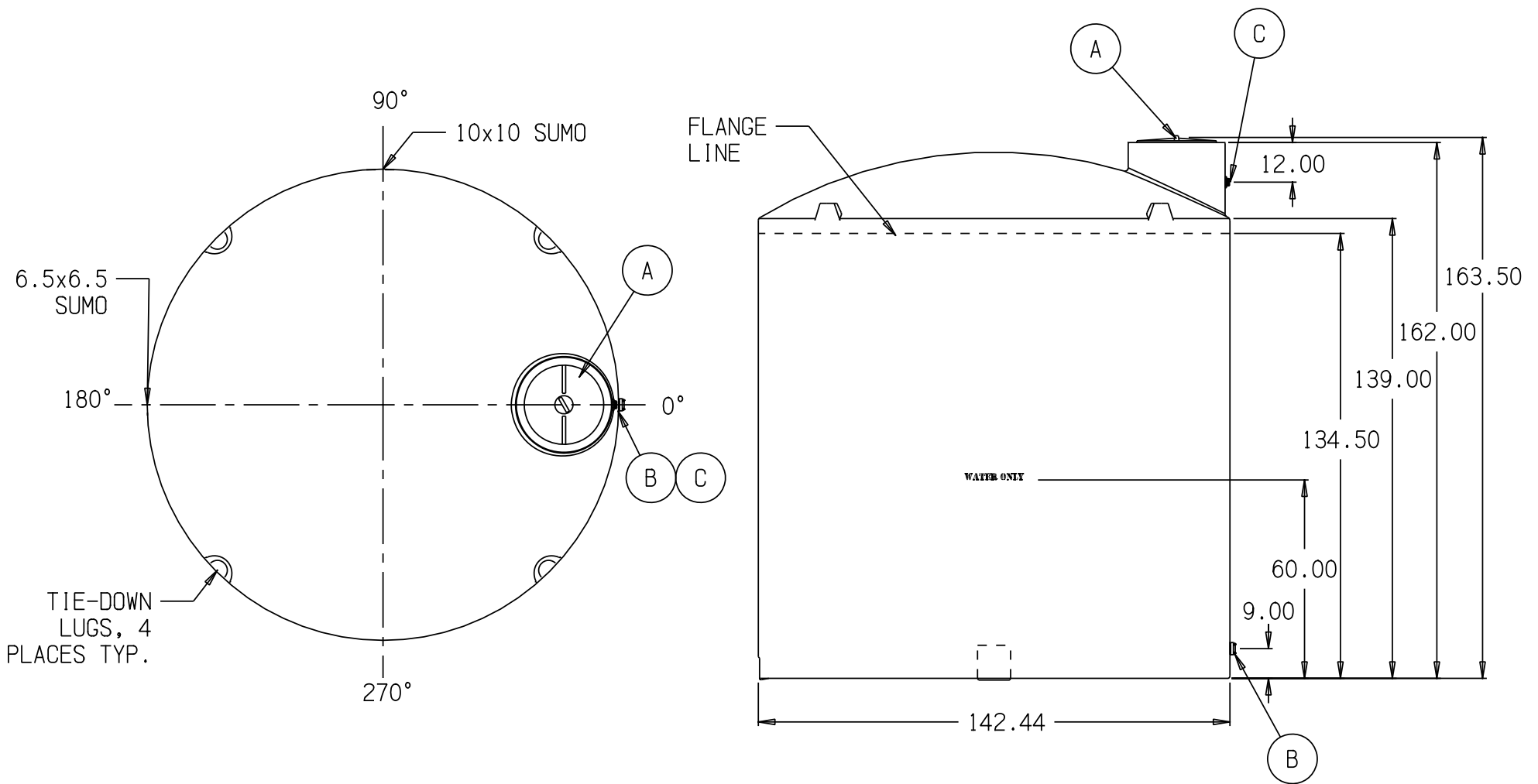


WATER



- A. 24" PE THREADED-VENTED MANWAY W/15" ACCESS [P/N 34700352]
- B. 2" PP DBL FLANGED BOLTED FTG W/EPDM GASKETS & SS BOLTS [P/N 34100103]
- C. 1-1/2" PP T x T BH BANJO FTG W/EPDM GASKET [P/N 34100144]

APPROVED: \_\_\_\_\_

SIGNATURE: \_\_\_\_\_ DATE: \_\_\_\_\_  
DRAWING NOT VALID UNLESS SIGNED  
(all dimensions in inches)

PART # TANK: 5330200W94205 & 99804 (C)  
HDLPE/BLK & GDO/WATER

REF#: 00000

11/23/11

SNYDER INDUSTRIES INC.

# 10,000 GALLON BLACK & DARK OLIVE GREEN WATER TANK

\* BASE FITTINGS TO BE LEFT INSTALLED AT TIME OF SHIPMENT PER SII PROCEDURE

ALL DIMENSIONS, DESIGNS, AND INFORMATION ON THIS PRINT MUST BE CONSIDERED PROPRIETARY TO SNYDER INDUSTRIES, INC. AND MAY NOT BE USED, COPIED, OR DISTRIBUTED WITHOUT WRITTEN PERMISSION OF AN OFFICER (OR HIS AGENT) OF THE FIRM.